

FRAME⁺ 75 LF Planning

Product range

Profiles
Gaskets
Accessories
Tools

Window sections

Sections LF 170
Sections LF 300
Sound insulation

Assembly options

Dimensions for sealing frames
Overview and selection accessories
Thermal insulation

Fittings

Diagrams
Selection tables
Installation instructions

Production processes

Frame

Sash manually operated

Sash operated by motor

FRAME⁺ 75 LF Processing

Processing details

Profile processing

Installation and assembly

Gaskets and glazing

Profile processing frame

Installation and assembly frame

Product range

Window sections

Assembly options

Fittings

Production processes

R

F1

F2

Processing details

VLFO

VLFI

VLFI

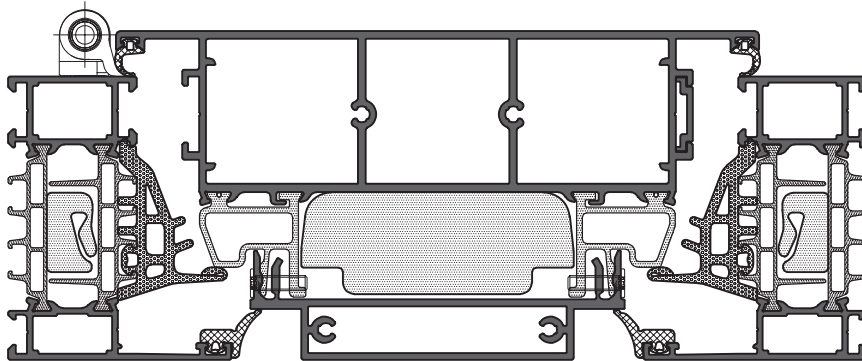
VW0

VW1

Abbreviations

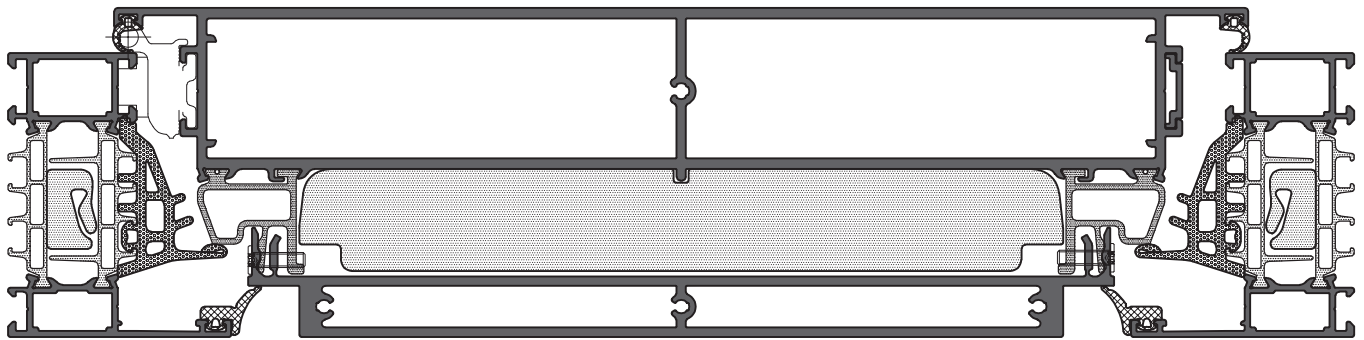
Abbreviation	Explanation
DB	Turn restrictor
DIN	Execution left (L) or right (R)
DK	Turn/tilt fitting
D-DK	Turn fitting, designed as turn/tilt fitting with locked tilt position
D-DB	Side-hung sash fitting with turning hinges
EG	Mortice bolt
FAM	External sash dimension
FZM	Sash section dimension
FB	Sash width
FH	Sash height
FG	Sash weight
FL	Clearance
GH	Handle height
IT	Infill thickness
kg	Kilogram
KVD	Tilt/turn fitting
K-GO	Tilt fitting with top handle
K-GS	Tilt fitting with side handle
K-only hinges	Tilt fitting – only hinges
L	Left
max.	Maximum
mm	Millimetre
MV	Centre lock
o. Abb.	Without illustration
QM	Quality management
R	Right
RF	Frame rebate
RAM	External frame dimension
RBi	Interior frame width
RC2	Resistance Class 2
RHi	Interior frame height
SH	Security
SP	Mishandling device
ST-2G	Dummy mullion fitting with handle on active and inactive leaf
ST-K	Dummy mullion fitting with toggle lever
ST-G	Dummy mullion fitting with gear
SW	Wrench size
T10	Designation of Torx drive e.g. Torx 10
T1	Designation of driving rod e.g. driving rod 1
ÜBB	Overlap width
ÜBH	Overlap height
PU	Packing unit

Technology in detail



Ventilation flap 75 LF - sash width 170, variant surface mounted hinge

The ventilation flap FRAME⁺ 75 LF can be perfectly integrated into the RAICO system family of FRAME⁺ 75 WI aluminium windows as a side-hung sash with 170 mm and 300 mm sash widths. A completely concealed swing door drive without visible chain is available for motorised opening.



Ventilation flap 75 LF - sash width 300, variant overlap integrated hinge

Technical data (system tests as basis for CE marking according to DIN EN 14351-1)		
Test	Classification standard	Class / Values
Air permeability	EN 12207:2017-03	up to 4
Wind load	EN 12210:2016-09	up to C5 / B5 / A5
Water tightness	EN 12208:2000-06	up to E 900
Long-term performance	EN 12400:2002-10	up to 3
Operating forces	EN 13115:2001-07	up to 2
Burglar resistance	EN 1627:2021-11	RC2
Sound insulation $R_w(C:C_{tr})$	EN ISO 717-1:2020	up to 42 dB (75LF 170)* up to 40 dB (75LF 300)*
Thermal insulation U_{eq}	EN ISO 10077-2:2017-06	up to 1.0 W/m ² K

* with additional measures

■ **Excellent product features**

- Distortion-resistant design as standard
- Three circumferential sealing levels ensure high tightness and durable functionality with low operating forces
- Thermal and sound insulation measures can be conveniently retrofitted by simply dismantling the outer shell even when installed

■ **Innovative engine technology**

- Drive completely invisible with integrated locking mechanism without additional locking motor
- Very quiet in operation

- Meets the requirement for protection class 3 for power-operated windows by torque limitation without sensor strip, can be optionally extended to protection class 4
- Opening/closing speed, closing forces etc. can be individually adjusted

■ **Efficient processing**

- Prefabricated aluminium end caps incl. all processing
- Vulcanised sealing frames, medial gasket with integrated sealant injection opening
- Due to completely pre-assembled components, motor drives can be mounted without time-consuming wiring work ("Plug and Play")

Technology in detail

■ **System variants**

- Construction depth 75 mm – compatible with all profiles of the series FRAME+ 75 WI
- Max. sash height up to 3.000 mm¹, manual and motor-driven
¹ = special sizes on demand (concealed up to 2.600 mm)
- Flush optics outside
- **Opening options**
 - Side-hung sash can be operated manually and by motor
 - Automatic drive for sash widths from 170 mm
- Burglar resistance RC2 manual and motor-driven, without additional locking drive

■ **Fittings**

- Manual or motorised* operation
* emergency release possible in case of need
- Concealed and surface mounted hinges for individual colour design
- Overlap integrated hinges, without visible fitting parts
- **Sash weights**
 - surface mounted hinges up to 90 kg
 - two-part overlap integrated hinges up to 50 kg
 - three-part overlap integrated hinges up to 80 kg
 - concealed hinges up to 90 kg
- **Opening restrictor**
 - optional surface mounted or concealed (generally recommended)
 - overlap integrated (mandatory)

■ **Overview fitting selection**

	170								300									
	Manual	Motor-driven	Stabilisation hinge side	Turn restrictor unbraked (90°)	Turn restrictor braked (90°)	max. opening angle manual*	max. opening angle motor-driven*	RC2 manual	RC2 motor-driven	Manual	Motor-driven	Stabilisation hinge side	Turn restrictor unbraked (90°)	Turn restrictor braked (90°)	max. opening angle manual*	max. opening angle motor-driven*	RC2 manual	RC2 motor-driven
Surface mounted hinges	X	X	X	X	-	180°	135°	X	X	X	X	X	X	X	180°	90°	X	X
Concealed hinges up to 2600 mm	-	-	-	-	-	-	-	-	-	X	-	-	X	-	100°	-	-	-
Overlap integrated hinges	X	X	X	X	-	90°	90°	-	-	X	X	X	X	X	90°	90°	-	-

* the actual possible opening width must always be checked on a project-specific basis
the opening width may be restricted by reveals, façade mullions, handles, etc.