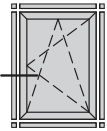


■ <b>Window sections</b>	163
<b>Assembly options</b>	
Determining dimensions for glass and sealing frames	173
<b>Selection glass gasket</b>	174
Gluing of glass panes	175
<b>Selection corner angles and chevrons</b>	
Outer frame	177
Casement sash	178
Integration outer frame	179
<b>Selection connection profiles</b>	
Mounting angle and screws	180
Enlargement profile, mounting angles and screws	181
Compensation gasket and compensation profile	182
Number of mounting angles	183
Overview shimming guidelines	184
Selection table effective area moment of inertia for profiles with thermal break	185





Horizontal section  
**Integration outer frame 27/67**  
Sash 65/34

■ Profiles

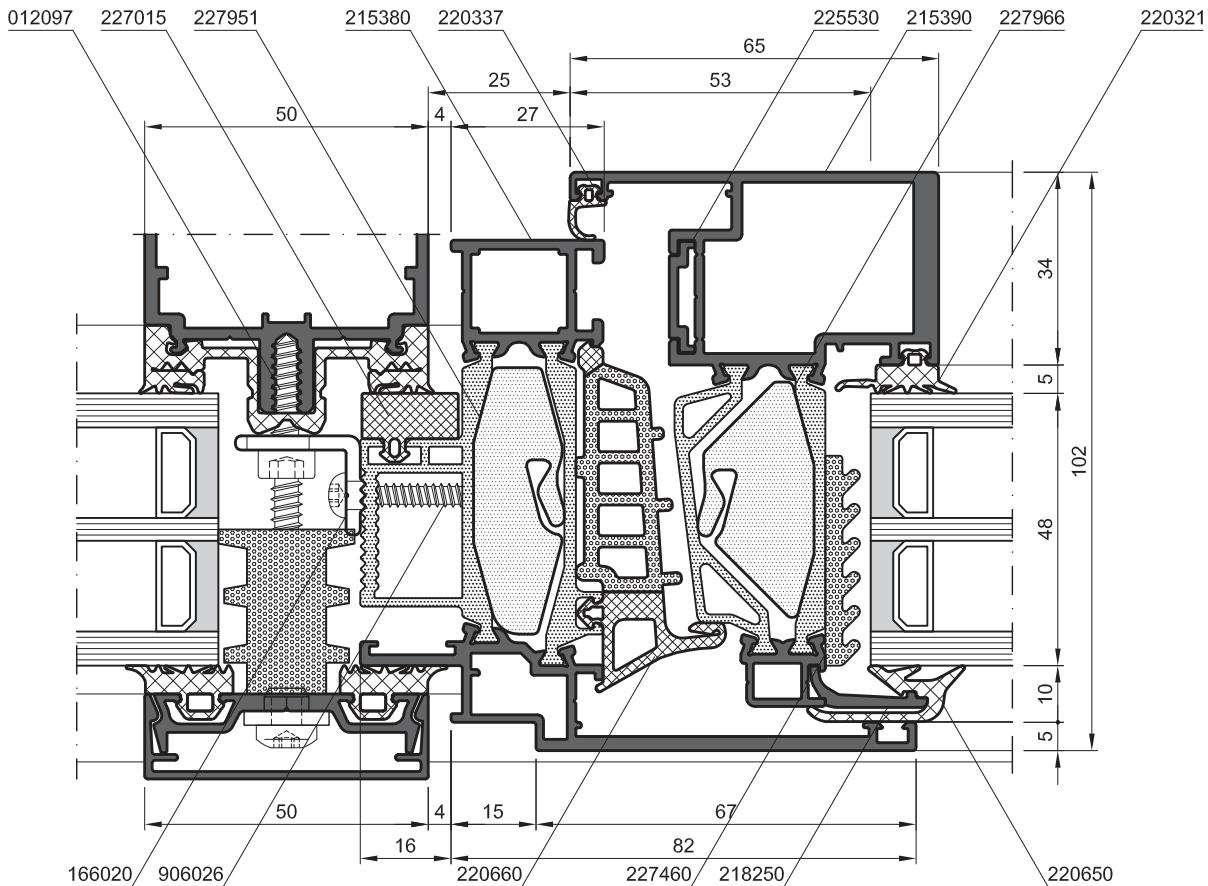
Article	No.	PU
Integration outer frame 27/67	<b>215380</b>	6 m
Sash profile 65/34	<b>215390</b>	6 m
Glazing bead external	<b>218250</b>	6 m
Driving rod 20	<b>225530</b>	6 m

■ Gaskets

Article	No.	PU
Interior gasket 5	<b>220321</b>	100 m
Interior stop gasket 7	<b>220337</b>	200 m
Corner vulcanisation for exterior glazing gasket	<b>220650.RT</b>	1 pc(s)
Corner vulcanisation for exterior glazing gasket	<b>220650</b>	1 pc(s)
Insulating block medial gasket	<b>220660</b>	30 m
Medial gasket corners	<b>220660.E</b>	40 pc(s)
Corner vulcanisation for medial gasket	<b>220660.R</b>	1 pc(s)
Corner vulcanisation for medial gasket	<b>220660</b>	1 pc(s)
Compensation gasket 4	<b>227015</b>	100 m

■ Accessories

Article	No.	PU
Flat fillister head screw 5.5x16	<b>012097</b>	100 pc(s)
Assembly angle piece 23/18	<b>166020</b>	50 pc(s)
Insulating block for glazing rebate 7/50	<b>227460</b>	50 m
Insulating block for glazing rebate - corner 7/50	<b>227460.E</b>	40 pc(s)
Insulation insertion 16/47	<b>227951</b>	50 m
Insulation insertion 20.5/41.5	<b>227966</b>	50 m
Pan head tapping screw 4.2x38	<b>906026</b>	100 pc(s)

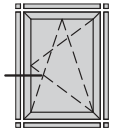


90 WB

Horizontal section

**Integration outer frame 27/67**

Sash 65/24



### ■ Profiles

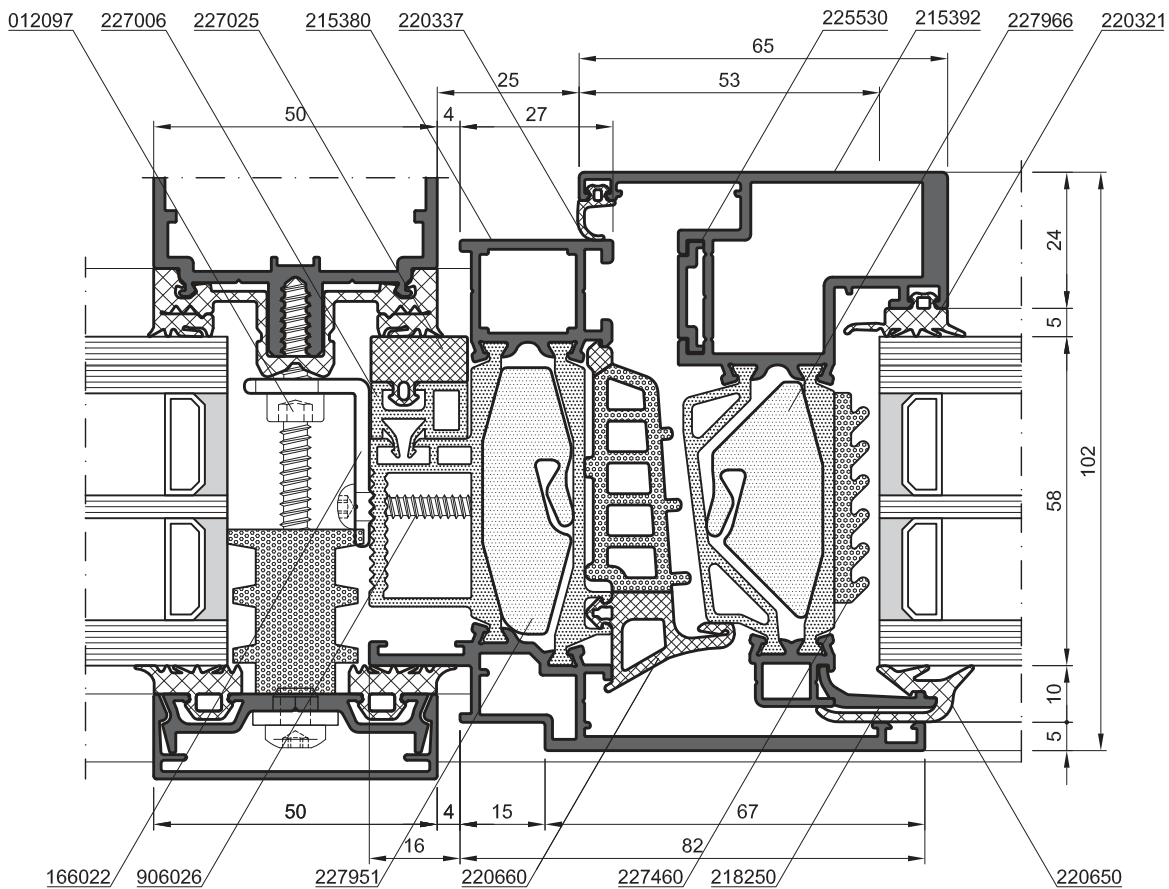
Article	No.	PU
Integration outer frame 27/67	<b>215380</b>	6 m
Sash profile 65/24	<b>215392</b>	6 m
Glazing bead external	<b>218250</b>	6 m
Driving rod 20	<b>225530</b>	6 m
Compensation profile 10	<b>227006</b>	6 m

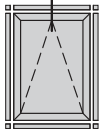
### ■ Gaskets

Article	No.	PU
Interior gasket 5	<b>220321</b>	100 m
Interior stop gasket 7	<b>220337</b>	200 m
Corner vulcanisation for exterior glazing gasket	<b>220650.R</b>	1 pc(s)
Corner vulcanisation for exterior glazing gasket	<b>220650.RT</b>	1 pc(s)
Insulating block medial gasket	<b>220660</b>	30 m
Medial gasket corners	<b>220660.E</b>	40 pc(s)
Corner vulcanisation for medial gasket	<b>220660.R</b>	1 pc(s)
Corner vulcanisation for medial gasket	<b>220660.RT</b>	1 pc(s)
Compensation gasket 8	<b>227025</b>	100 m

### ■ Accessories

Article	No.	PU
Flat fillister head screw 5.5x16	<b>012097</b>	100 pc(s)
Assembly angle piece 23/18	<b>166020</b>	50 pc(s)
Insulating block for glazing rebate 7/50	<b>227460</b>	50 m
Insulating block for glazing rebate - corner 7/50	<b>227460.E</b>	40 pc(s)
Insulation insertion 16/47	<b>227951</b>	50 m
Insulation insertion 20.5/41.5	<b>227966</b>	50 m
Pan head tapping screw 4.2x38	<b>906026</b>	100 pc(s)





Vertical section  
**Integration outer frame 27/67, sash 65/34**  
with drive CDI

■ Profiles

Article	No.	PU
Integration outer frame 27/67	<b>215380</b>	6 m
Sash profile 65/34	<b>215390</b>	6 m
Glazing bead external	<b>218250</b>	6 m
Driving rod 20	<b>225530</b>	6 m

■ Technical information

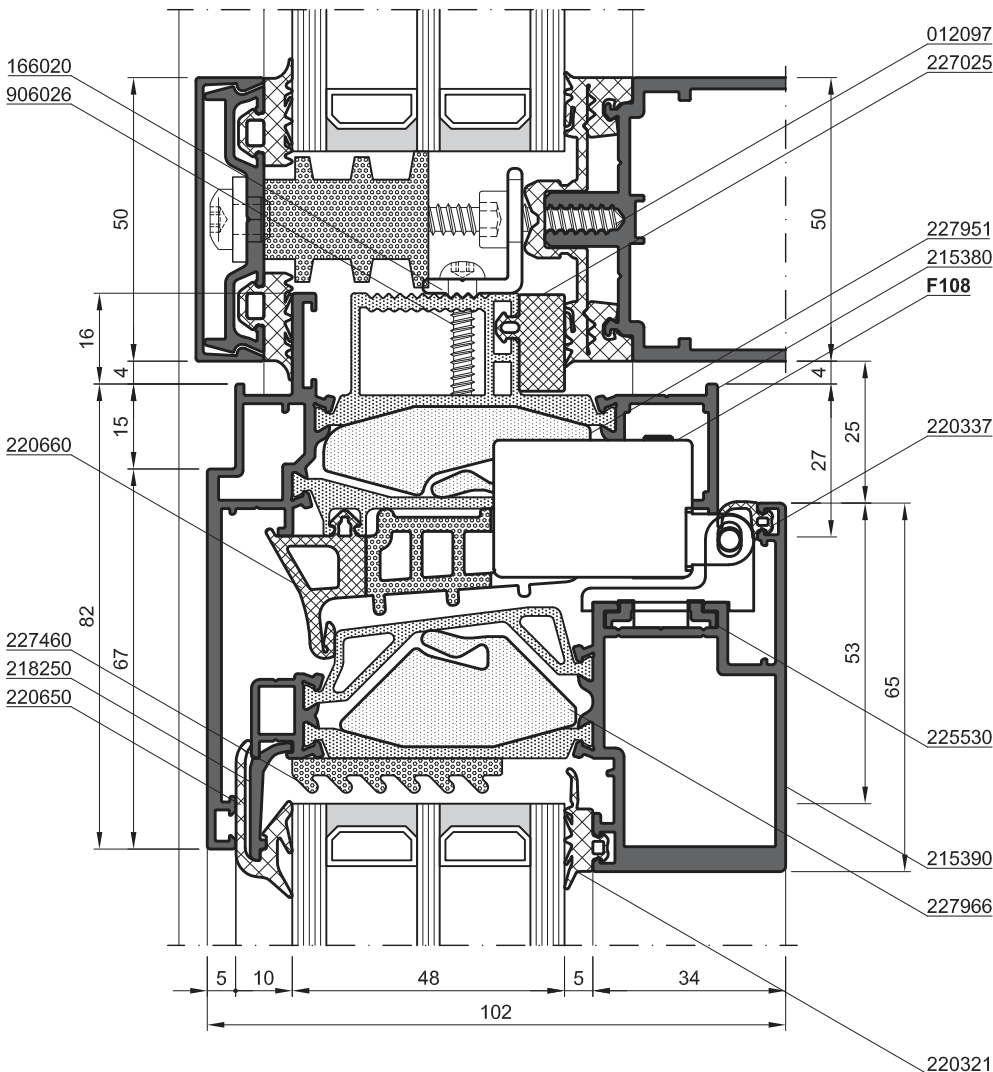
– **F108** = Drive CDI.

■ Gaskets

Article	No.	PU
Interior gasket 5	<b>220321</b>	100 m
Interior stop gasket 7	<b>220337</b>	200 m
Corner vulcanisation for exterior glazing gasket	<b>220650.R</b>	1 pc(s)
Corner vulcanisation for exterior glazing gasket	<b>220650.RT</b>	1 pc(s)
Insulating block medial gasket	<b>220660</b>	30 m
Medial gasket corners	<b>220660.E</b>	40 pc(s)
Corner vulcanisation for medial gasket	<b>220660.R</b>	1 pc(s)
Corner vulcanisation for medial gasket	<b>220660.RT</b>	1 pc(s)
Compensation gasket 8	<b>227025</b>	100 m

■ Accessories

Article	No.	PU
Flat fillister head screw 5.5x16	<b>012097</b>	100 pc(s)
Assembly angle piece 23/18	<b>166020</b>	50 pc(s)
Insulating block for glazing rebate 7/50	<b>227460</b>	50 m
Insulating block for glazing rebate - corner 7/50	<b>227460.E</b>	40 pc(s)
Insulation insertion 16/47	<b>227951</b>	50 m
Insulation insertion 20.5/41.5	<b>227966</b>	50 m
Pan head tapping screw 4.2x38	<b>906026</b>	100 pc(s)

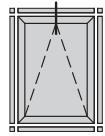


90 WB

Vertical section

### Integration outer frame 27/67, sash 65/34

with drive VCD 204 (-K) sash assembly



#### ■ Profiles

Article	No.	PU
Integration outer frame 27/67	215380	6 m
Sash profile 65/34	215390	6 m
Glazing bead external	218250	6 m
Driving rod 20	225530	6 m

#### ■ Technical information

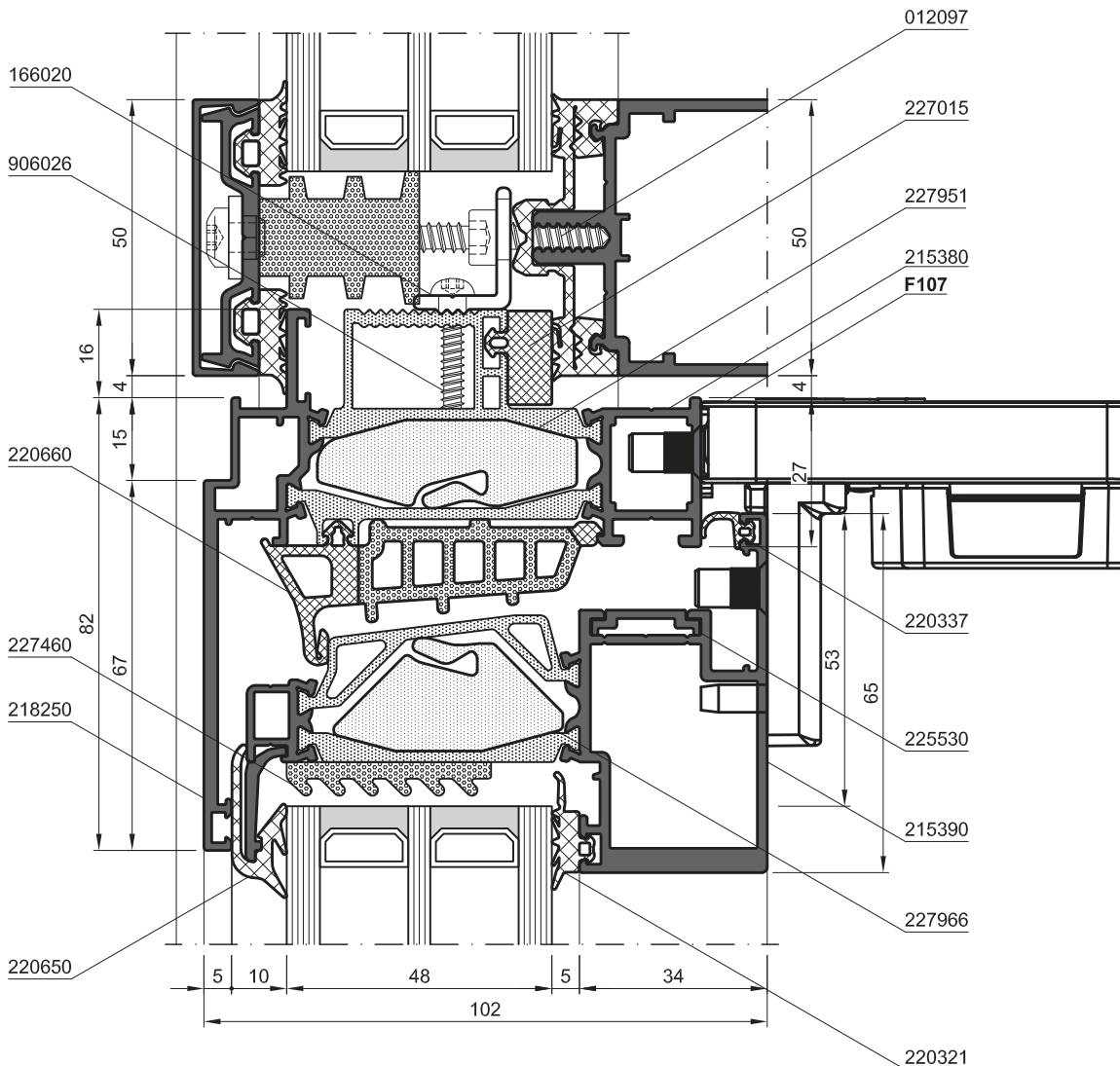
- **F107** = Drive VCD 204(-K) sash assembly.

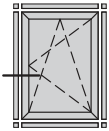
#### ■ Gaskets

Article	No.	PU
Interior gasket 5	220321	100 m
Interior stop gasket 7	220337	200 m
Corner vulcanisation for exterior glazing gasket	220650.R	1 pc(s)
Corner vulcanisation for exterior glazing gasket	220650.RT	1 pc(s)
Insulating block medial gasket	220660	30 m
Medial gasket corners	220660.E	40 pc(s)
Corner vulcanisation for medial gasket	220660.R	1 pc(s)
Corner vulcanisation for medial gasket	220660.RT	1 pc(s)
Compensation gasket 4	227015	100 m

#### ■ Accessories

Article	No.	PU
Flat fillister head screw 5.5x16	012097	100 pc(s)
Assembly angle piece 23/18	166020	50 pc(s)
Insulating block for glazing rebate 7/50	227460	50 m
Insulating block for glazing rebate - corner 7/50	227460.E	40 pc(s)
Insulation insertion 16/47	227951	50 m
Insulation insertion 20.5/41.5	227966	50 m
Pan head tapping screw 4.2x38	906026	100 pc(s)





Horizontal section  
**Outer frame 44/99 with adapter profile**  
Sash 65/34

■ Profiles

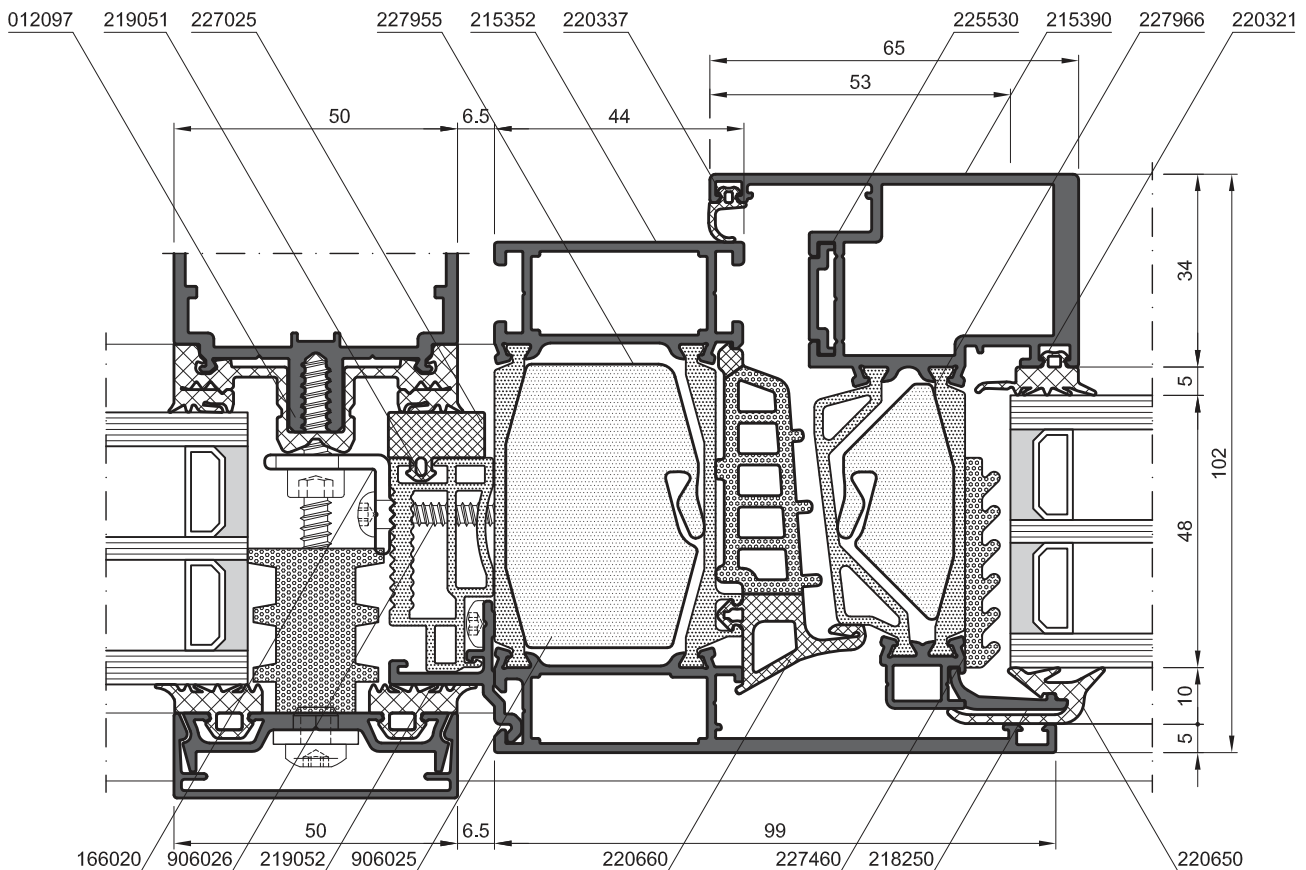
Article	No.	PU
Outer frame 44/99	<b>215352</b>	6 m
Sash profile 65/34	<b>215390</b>	6 m
Glazing bead external	<b>218250</b>	6 m
Adapter profile	<b>219051</b>	6 m
Adapter profile	<b>219052</b>	6 m
Driving rod 20	<b>225530</b>	6 m

■ Gaskets

Article	No.	PU
Interior gasket 5	<b>220321</b>	100 m
Interior stop gasket 7	<b>220337</b>	200 m
Corner vulcanisation for exterior glazing gasket	<b>220650.R</b>	1 pc(s)
Corner vulcanisation for exterior glazing gasket	<b>220650.RT</b>	1 pc(s)
Insulating block medial gasket	<b>220660</b>	30 m
Medial gasket corners	<b>220660.E</b>	40 pc(s)
Corner vulcanisation for medial gasket	<b>220660.R</b>	1 pc(s)
Corner vulcanisation for medial gasket	<b>220660.RT</b>	1 pc(s)
Compensation gasket 8	<b>227025</b>	100 m

■ Accessories

Article	No.	PU
Flat fillister head screw 5.5x16	<b>012097</b>	100 pc(s)
Assembly angle piece 23/18	<b>166020</b>	50 pc(s)
Insulating block for glazing rebate 7/50	<b>227460</b>	50 m
Insulating block for glazing rebate - corner 7/50	<b>227460.E</b>	40 pc(s)
Insulation insertion 35/50	<b>227955</b>	50 m
Insulation insertion 20.5/41.5	<b>227966</b>	50 m
Pan head tapping screw 4,2x19	<b>906025</b>	100 pc(s)
Pan head tapping screw 4.2x38	<b>906026</b>	100 pc(s)



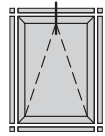
90 WB

# FRAME<sup>+</sup> 90 WB

Window sections

Vertical section

**Outer frame 44/99 with adapter profile, sash 65/34**  
with drive VCD 204 (-K) frame assembly



## Profiles

Article	No.	PU
Outer frame 44/99	215352	6 m
Sash profile 65/34	215390	6 m
Glazing bead external	218250	6 m
Adapter profile	219051	6 m
Adapter profile	219052	6 m
Driving rod 20	225530	6 m

## Gaskets

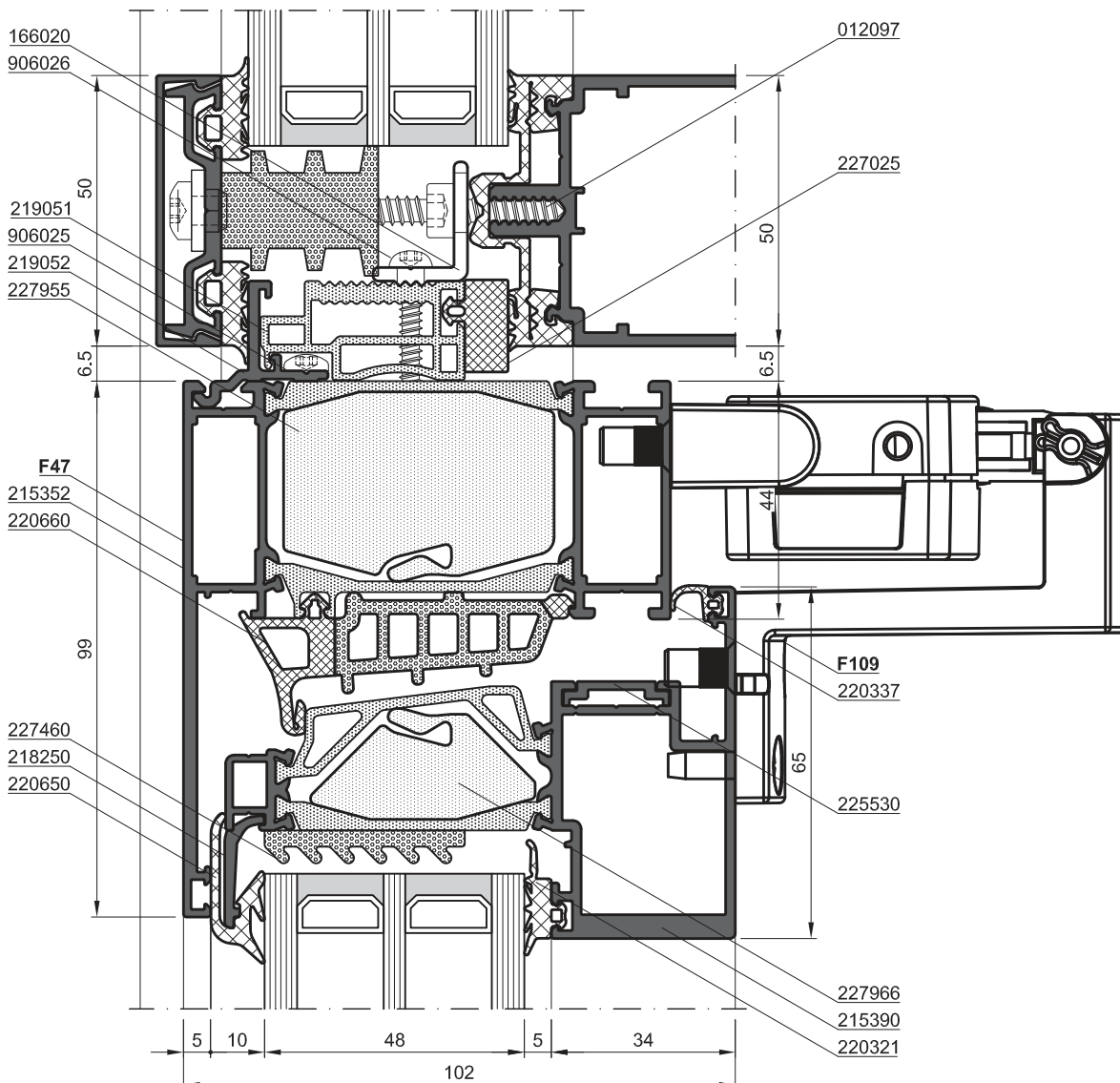
Article	No.	PU
Interior gasket 5	220321	100 m
Interior stop gasket 7	220337	200 m
Corner vulcanisation for exterior glazing gasket	220650.R	1 pc(s)
Corner vulcanisation for exterior glazing gasket	220650.RT	1 pc(s)
Insulating block medial gasket	220660	30 m
Medial gasket corners	220660.E	40 pc(s)
Corner vulcanisation for medial gasket	220660.R	1 pc(s)
Corner vulcanisation for medial gasket	220660.RT	1 pc(s)
Compensation gasket 8	227025	100 m

## Accessories

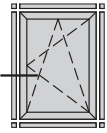
Article	No.	PU
Flat fillister head screw 5.5x16	012097	100 pc(s)
Assembly angle piece 23/18	166020	50 pc(s)
Insulating block for glazing rebate 7/50	227460	50 m
Insulating block for glazing rebate - corner 7/50	227460.E	40 pc(s)
Insulation insertion 35/50	227955	50 m
Pan head tapping screw 4,2x19	906025	100 pc(s)
Pan head tapping screw 4.2x38	906026	100 pc(s)

## Technical information

- **F 47** = Interior face width outer frame min. 44 mm.
- **F 109** = Drive VCD 204(-K) frame assembly.







Horizontal section  
**Integration outer frame 27/67**  
Sash 65/34

■ Profiles

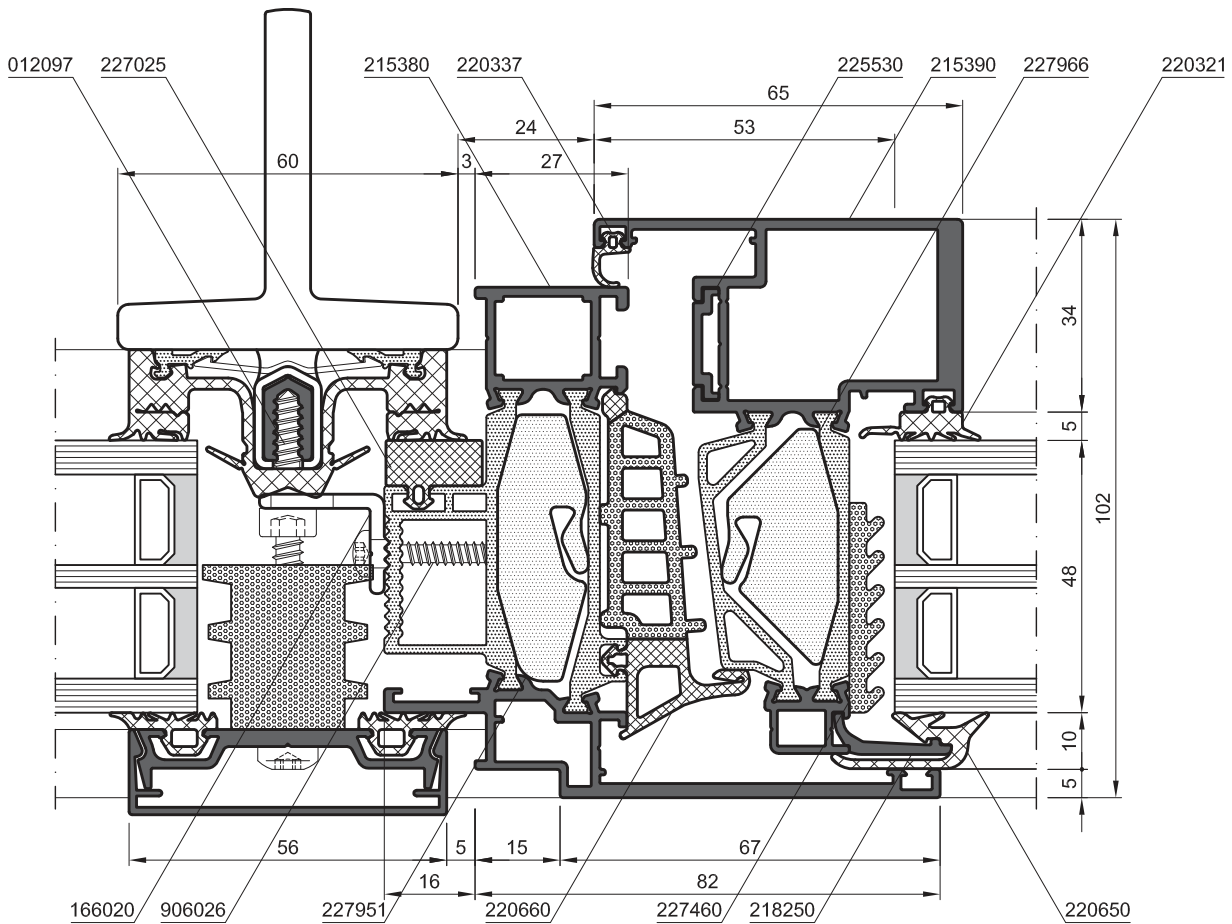
Article	No.	PU
Integration outer frame 27/67	<b>215380</b>	6 m
Sash profile 65/34	<b>215390</b>	6 m
Glazing bead external	<b>218250</b>	6 m
Driving rod 20	<b>225530</b>	6 m

■ Gaskets

Article	No.	PU
Interior gasket 5	<b>220321</b>	100 m
Interior stop gasket 7	<b>220337</b>	200 m
Corner vulcanisation for exterior glazing gasket	<b>220650.R</b>	1 pc(s)
Corner vulcanisation for exterior glazing gasket	<b>220650.RT</b>	1 pc(s)
Insulating block medial gasket	<b>220660</b>	30 m
Medial gasket corners	<b>220660.E</b>	40 pc(s)
Corner vulcanisation for medial gasket	<b>220660.R</b>	1 pc(s)
Corner vulcanisation for medial gasket	<b>220660.RT</b>	1 pc(s)
Compensation gasket 8	<b>227025</b>	100 m

■ Accessories

Article	No.	PU
Flat fillister head screw 5.5x16	<b>012097</b>	100 pc(s)
Assembly angle piece 23/18	<b>166020</b>	50 pc(s)
Insulating block for glazing rebate 7/50	<b>227460</b>	50 m
Insulating block for glazing rebate - corner 7/50	<b>227460.E</b>	40 pc(s)
Insulation insertion 16/47	<b>227951</b>	50 m
Insulation insertion 20.5/41.5	<b>227966</b>	50 m
Pan head tapping screw 4.2x38	<b>906026</b>	100 pc(s)

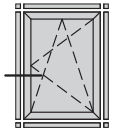


90 WB

Horizontal section

**Integration outer frame 27/67**

Sash 65/34



### ■ Profiles

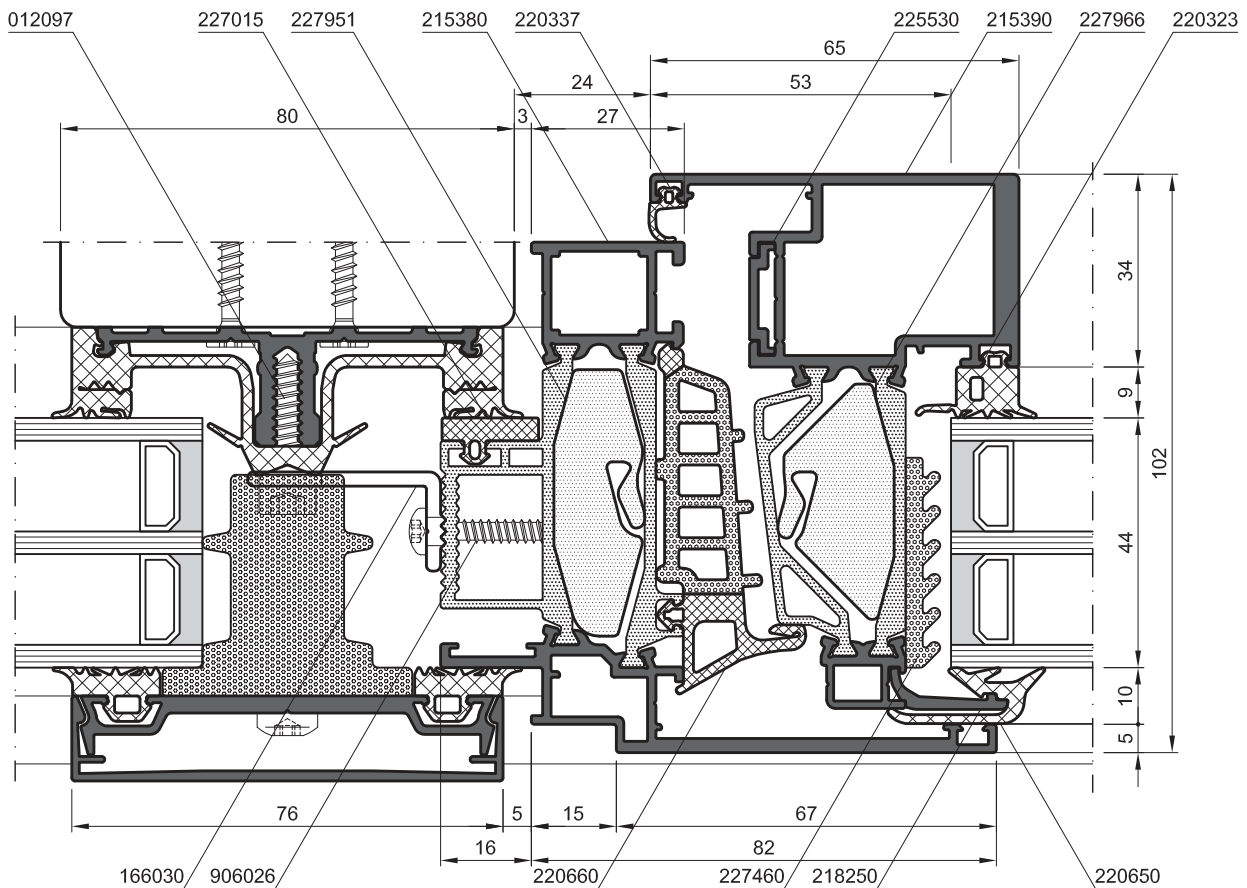
Article	No.	PU
Integration outer frame 27/67	<b>215380</b>	6 m
Sash profile 65/34	<b>215390</b>	6 m
Glazing bead external	<b>218250</b>	6 m
Driving rod 20	<b>225530</b>	6 m

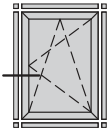
### ■ Gaskets

Article	No.	PU
Interior gasket 9	<b>220323</b>	100 m
Interior stop gasket 7	<b>220337</b>	200 m
Corner vulcanisation for exterior glazing gasket	<b>220650.R</b>	1 pc(s)
Corner vulcanisation for exterior glazing gasket	<b>220650.RT</b>	1 pc(s)
Insulating block medial gasket	<b>220660</b>	30 m
Medial gasket corners	<b>220660.E</b>	40 pc(s)
Corner vulcanisation for medial gasket	<b>220660.R</b>	1 pc(s)
Corner vulcanisation for medial gasket	<b>220660.RT</b>	1 pc(s)
Compensation gasket 4	<b>227015</b>	100 m

### ■ Accessories

Article	No.	PU
Flat fillister head screw 5.5x16	<b>012097</b>	100 pc(s)
Assembly angle piece 35/18	<b>166030</b>	50 pc(s)
Insulating block for glazing rebate 7/50	<b>227460</b>	50 m
Insulating block for glazing rebate - corner 7/50	<b>227460.E</b>	40 pc(s)
Insulation insertion 16/47	<b>227951</b>	50 m
Insulation insertion 20.5/41.5	<b>227966</b>	50 m
Pan head tapping screw 4.2x38	<b>906026</b>	100 pc(s)





Horizontal section  
**Integration outer frame 27/67**  
Enlargement profile and sash 65/34

■ Profiles

Article	No.	PU
Integration outer frame 27/67	<b>215380</b>	6 m
Sash profile 65/34	<b>215390</b>	6 m
Glazing bead external	<b>218250</b>	6 m
Enlargement profile 5	<b>219055</b>	6 m
Driving rod 20	<b>225530</b>	6 m

■ Technical information

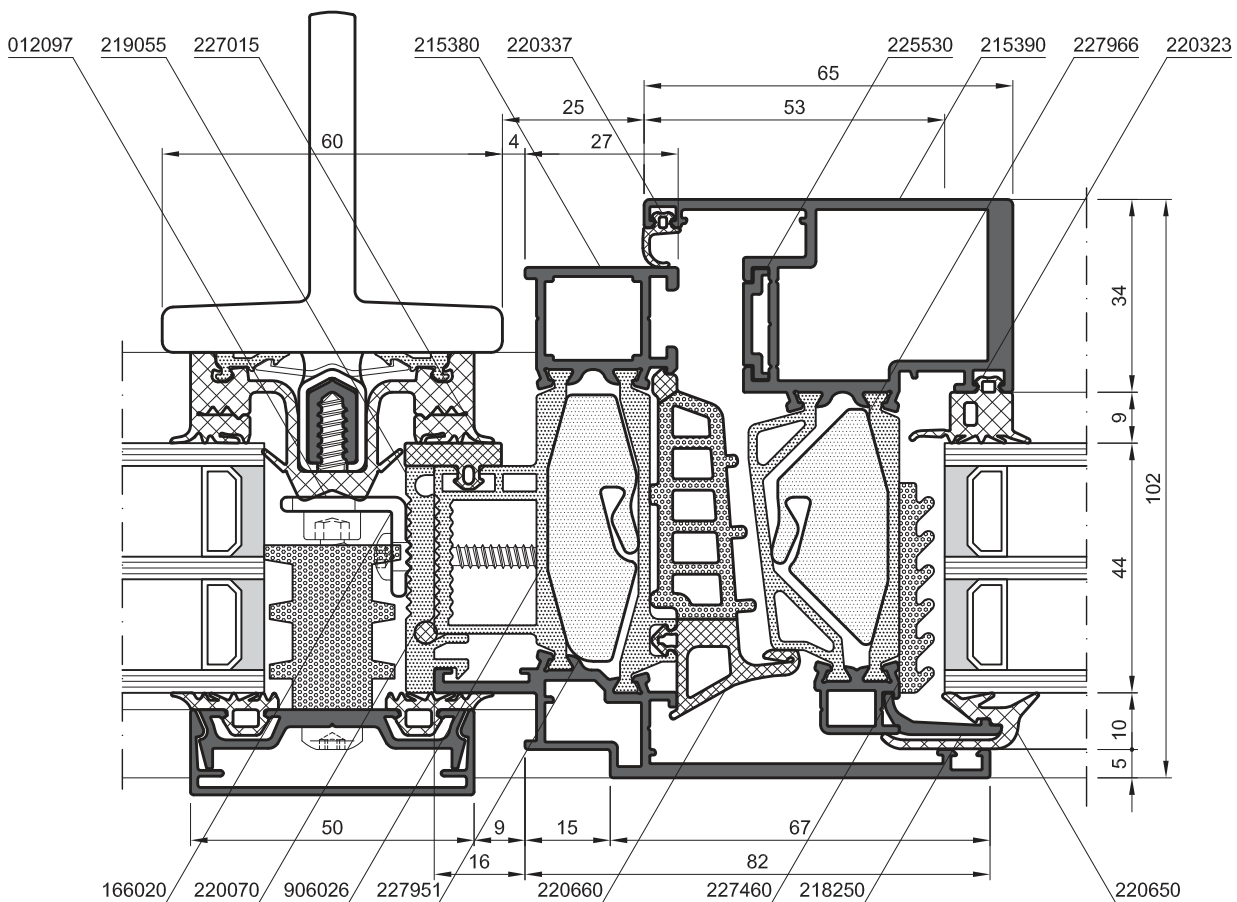
- For use with enlarged structural profiles.

■ Gaskets

Article	No.	PU
Rope 4	<b>220070</b>	200 m
Interior gasket 9	<b>220323</b>	100 m
Interior stop gasket 7	<b>220337</b>	200 m
Corner vulcanisation for exterior glazing gasket	<b>220650.R</b>	1 pc(s)
Corner vulcanisation for exterior glazing gasket	<b>220650.RT</b>	1 pc(s)
Insulating block medial gasket	<b>220660</b>	30 m
Medial gasket corners	<b>220660.E</b>	40 pc(s)
Corner vulcanisation for medial gasket	<b>220660.R</b>	1 pc(s)
Corner vulcanisation for medial gasket	<b>220660.RT</b>	1 pc(s)
Compensation gasket 4	<b>227015</b>	100 m

■ Accessories

Article	No.	PU
Flat fillister head screw 5.5x16	<b>012097</b>	100 pc(s)
Assembly angle piece 23/18	<b>166020</b>	50 pc(s)
Insulating block for glazing rebate 7/50	<b>227460</b>	50 m
Insulating block for glazing rebate - corner 7/50	<b>227460.E</b>	40 pc(s)
Insulation insertion 16/47	<b>227951</b>	50 m
Insulation insertion 20.5/41.5	<b>227966</b>	50 m
Pan head tapping screw 4.2x38	<b>906026</b>	100 pc(s)



90 WB

