

■ Fitting systems for standard locks

Half sets	91
Pusher sets	93
Modular system tubular handle	94
Cylinder roses	95

Fitting systems for standard locks
Half-sets without panic function
Single-sash elements and active leaf for two-winged elements

No.	Article	PU
395400	Half set interior	1 set

Selection of the available versions

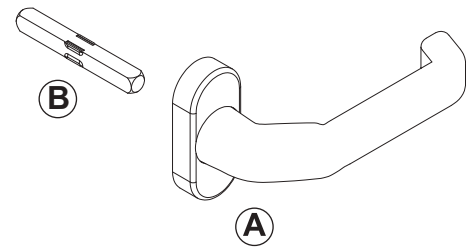
Opening direction	DIN direction	Technical specification	Colour
U = universal	U = universal	000 = no specification necessary	20 = silver anodized E6/EV1 31 = white powder coated RAL 9016 10 = stainless steel matt

Execution example to determine the requested version

No. **395400** – Opening direction **U** – DIN direction **U** – Technical specification **000** – Colour **20** = Version **395400.UU00020**

■ **Technical information**

- Bearing fixable, with return spring.
- Concealed fixation, without fixation screws.
- **PU contains:**
 - A** Door pusher.
 - B** Pusher pin, notched.



Fixation

No.	Article	PU	Demand
904259	Countersunk sheet metal screw M5x20	100 pc(s)	2 pc(s)
910101	Countersunk head blind rivet nut M5x12	100 pc(s)	2 pc(s)

Fitting systems for standard locks

Exterior half-set

Single-sash elements and active leaf for two-winged elements

No.	Article	PU
395402	Half-set exterior fixed knob	1 pc(s)

Selection of the available versions

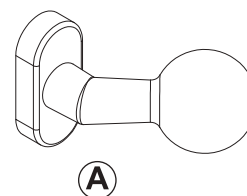
Opening direction	DIN direction	Technical specification	Colour
U = universal	U = universal	000 = no specification necessary	20 = silver anodized E6/EV1 10 = stainless steel matt

Execution example to determine the requested version

No. **395402** – Opening direction **U** – DIN direction **U** – Technical specification **000** – Colour **20** = Version **395402.UU00020**

■ Technical information

- Fixed.
- Concealed fixation, without fixation screws.
- **PU contains:**
 - A** Knob.



Fixation

No.	Article	PU	Demand
904259	Countersunk sheet metal screw M5x20	100 pc(s)	2 pc(s)
910101	Countersunk head blind rivet nut M5x12	100 pc(s)	2 pc(s)

Fitting systems for standard locks
Pusher sets without panic function
Single-sash elements and active leaf for two-winged elements

No.	Article	PU
395401	Pusher set	1 set

Selection of the available versions

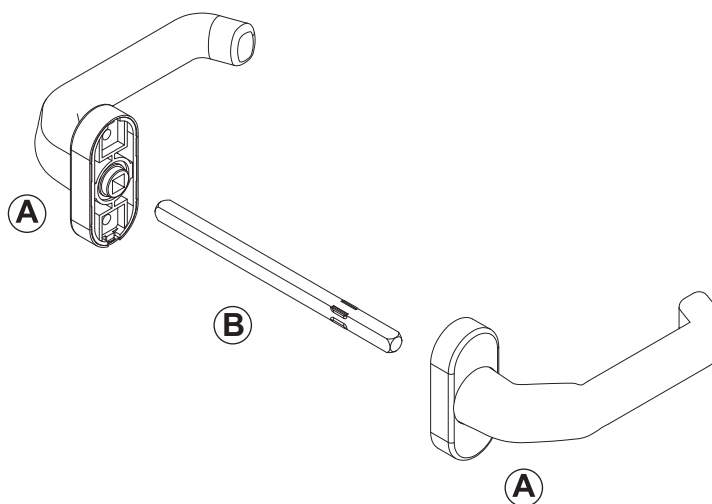
Opening direction	DIN direction	Technical specification	Colour
U = universal	U = universal	000 = no specification necessary	20 = silver anodized E6/EV1 31 = white powder coated RAL 9016 10 = stainless steel matt

Execution example to determine the requested version

No. **395401** – Opening direction **U** – DIN direction **U** – Technical specification **000** – Colour **20** = Version **395401.UU00020**

■ **Technical information**

- Bearing fixable, with return spring.
- Concealed fixation, without fixation screws.
- **PU contains:**
 - A** 2 pieces door pusher.
 - B** Pusher pin, notched.



Standard locks

Fixation

No.	Article	PU	Demand
904259	Countersunk sheet metal screw M5x20	100 pc(s)	4 pc(s)
910101	Countersunk head blind rivet nut M5x12	100 pc(s)	4 pc(s)

Fitting systems for standard locks

Modular system tubular handle

A Tubular handle

No.	Article	PU
395600	Tubular handle stainless steel L=2,500 mm	1 pc(s)
395601	Tubular handle stainless steel L=3,000 mm	1 pc(s)

■ Technical information

- For modular system push handle.
- Ø 35 mm, wall thickness 1.5 mm.
- Surface polished, grain 800.

B Handle supports

No.	Article	PU
395605	Straight support 90°, inside wound	1 pc(s)

■ Technical information

- For modular system push handle.
- Mounting set has to be ordered separately.
- Requirement per push handle: 2 pieces.

C, D Reinforcement

No.	Article	PU
395610	Reinforcement tube, L=3,000	1 pc(s)
395611	Distance sleeve	1 pc(s)

■ Technical information

- For modular system push handle.
- For the reinforcement of push handles L > 1,500 mm and for doors exposed to high stress.
- Length reinforcement tube = external tube – 100 mm.
- Space between distance sleeves appr. 350 mm.

Fixation

No.	Article	PU
395615	Mounting set unilateral, standard	2 pc(s)
395616	Mounting set unilateral, heavy	2 pc(s)

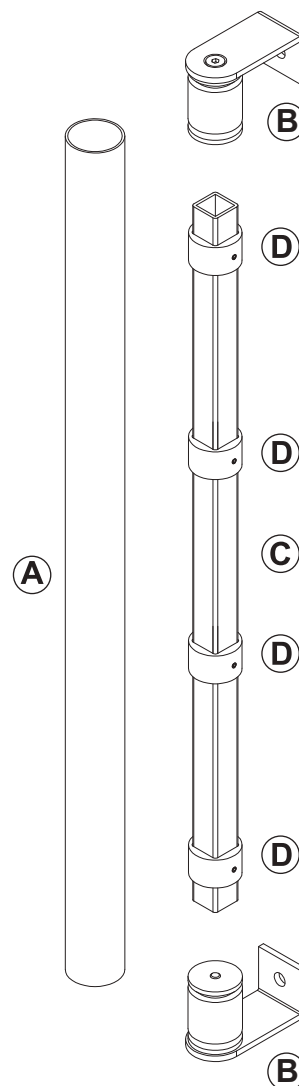
■ Technical information

- For modular system push handle.
- For the fixation of support.
- No. 395616 For doors exposed to high stresses.

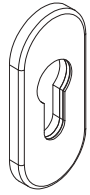
– PU contains:

No. 395615: 2 pieces threaded pin.
2 pieces cap nut.

No. 395616: 2 pieces self-drilling threaded sleeve.
2 pieces shim.
2 pieces threaded rod M8.
2 pieces cap nut.



Fitting systems for standard locks
PC roses without panic function
Single-sash elements and active leaf for two-winged elements



No.	Article	PU
395450	Cylinder rose	1 pc(s)

Selection of the available versions

Opening direction	DIN direction	Technical specification	Colour
U = universal	U = universal	000 = no specification necessary	20 = silver anodized E6/EV1 31 = white powder coated RAL 9016 10 = stainless steel matt

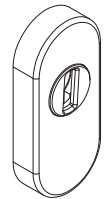
Execution example to determine the requested version

No. **395450** – Opening direction **U** – DIN direction **U** – Technical specification **000** – Colour **20** = Version **395450.UU00020**

■ **Technical information**

- Installation possible at the inside and outside.
- Sliding rose, concealed fixation.
- Oval, profile cylinder perforated.
- Rose height 6 mm.
- Without fixation screws.

No.	Article	PU
395451	Cylinder rose with cylinder cover	1 pc(s)



Selection of the available versions

Opening direction	DIN direction	Technical specification	Colour
U = universal	U = universal	000 = no specification necessary	20 = silver anodized E6/EV1 31 = white powder coated RAL 9016 10 = stainless steel matt

Execution example to determine the requested version

No. **395451** – Opening direction **U** – DIN direction **U** – Technical specification **000** – Colour **20** = Version **395451.UU00020**

■ **Technical information**

- Installation only possible at the outside.
- Sliding rose with plug pulling protection, concealed fixation.
- Oval, profile cylinder perforated.
- Rose height 11.5 mm (for cylinder projection from 5 to 7 mm).
- Without fixation screws.

PC decorative ring

No.	Article	PU
395455	PC decorative ring stainless steel	1 pc(s)



■ **Technical information**

- Installation only possible at the outside.
- No additional fixation material necessary.

Fixation (only for cylinder roses)

No.	Article	PU	Demand
904259	Countersunk sheet metal screw M5x20	100 pc(s)	2 pc(s)
910101	Countersunk head blind rivet nut M5x12	100 pc(s)	2 pc(s)

