

■ Fitting systems for emergency exit and panic door locks

Half sets for emergency exit locks EN 179	99
Pusher sets for emergency exit locks EN 179	
- without burglar resistance	100
- with burglar resistance	101
Half sets for panic door locks EN 1125	102
Cylinder roses	104

Fitting systems for emergency exit and panic door locks
Half-sets for emergency exit locks EN 179
 Single-sash elements and active/inactive leaf for two-winged elements without burglar resistance

No.	Article	PU
395410	Panic E half-set	1 set

Selection of the available versions

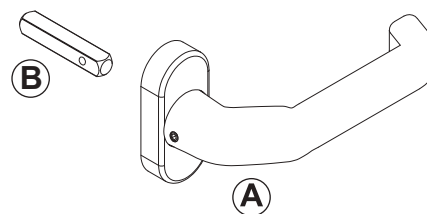
Opening direction	DIN direction	Technical specification	Colour
U = universal	U = universal	000 = no specification necessary	20 = silver anodized E6/EV1 10 = stainless steel matt

Execution example for determination of the requested version

No. **395410** – Opening direction **U** – DIN direction **U** – Technical specification **000** – Colour **20** = Version **395410.UU00020**

■ **Technical information**

- Firmly pivoted, with return spring.
- Concealed fixation, without fixation screws.
- **PU contains:**
 - A** Door pusher.
 - B** Pusher pin.



Fixation

No.	Article	PU	Demand
904259	Countersunk sheet metal screw M5x20	100 pc(s)	2 pc(s)
910101	Countersunk head blind rivet nut M5x12	100 pc(s)	2 pc(s)

FRAME⁺ 75 DI fittings

Selection tables

Fitting systems for emergency exit and panic door locks

Pusher sets for emergency exit locks EN 179

Single-sash elements and active leaf for two-winged elements without burglar-resistance

No.	Article	PU
395411	Panic B pusher set	1 set

Selection of the available versions

Opening direction	DIN direction	Technical specification	Colour
U = universal	U = universal	000 = no specification necessary	20 = silver anodized E6/EV1 10 = stainless steel matt

Execution example for determination of the requested version

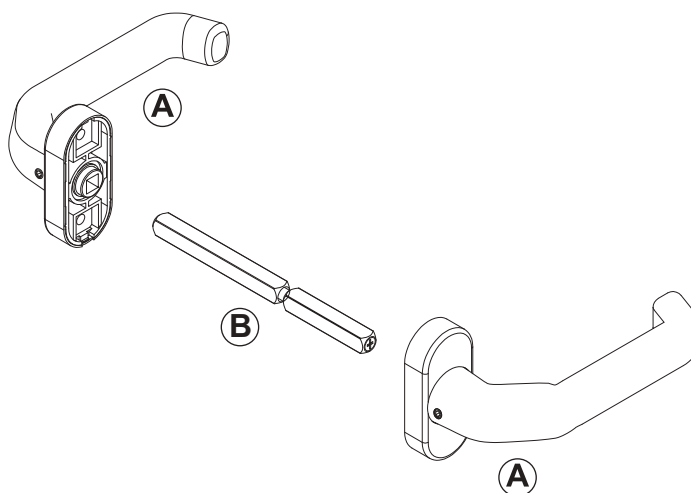
No. 395411 – Opening direction **U** – DIN direction **U** – Technical specification **000** – Colour **20** = Version **395411.UU00020**

■ Technical information

- Firmly pivoted, with return spring.
- Concealed Fixation, without fixation screws.

– PU contains:

- A** 2 pieces door pusher.
- B** Pusher pin.



Fixation

No.	Article	PU	Demand
904259	Countersunk sheet metal screw M5x20	100 pc(s)	4 pc(s)
910101	Countersunk head blind rivet nut M5x12	100 pc(s)	4 pc(s)

Fitting systems for emergency exit and panic door locks
Pusher sets for emergency exit locks EN 179
Single-sash elements and active leaf for two-winged elements with burglar resistance

No.	Article	PU
395413	Panic B safety set RC3	1 set
395414	Panic B safety set RC2	1 set

Selection of the available versions

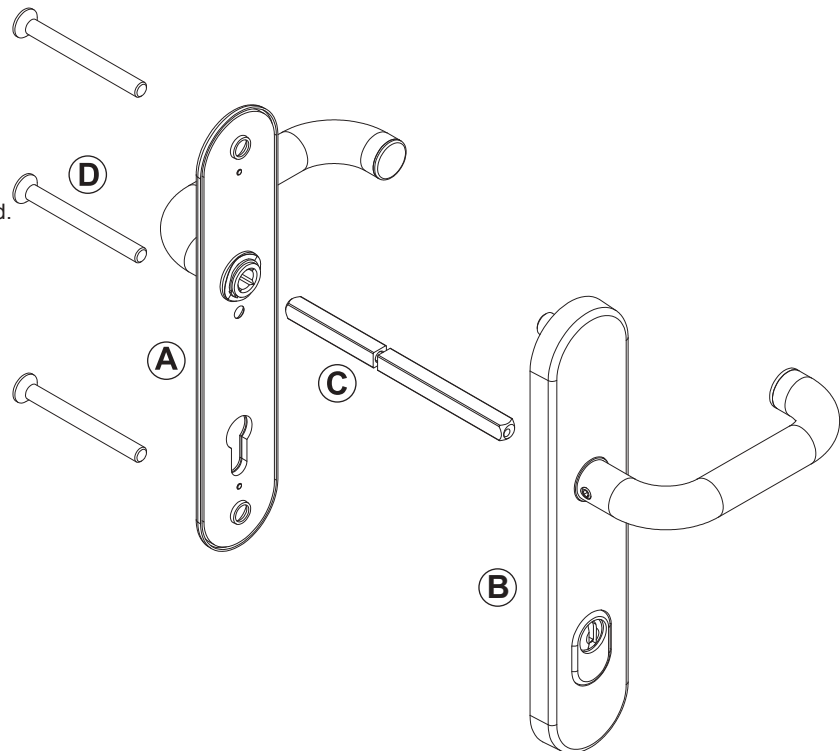
Opening direction	DIN direction	Technical specification	Colour
U = universal	U = universal	000 = no specification necessary	20 = silver anodized E6/EV1 10 = stainless steel matt

Execution example for determination of the requested version

No. **395413** – Opening direction **U** – DIN direction **U** – Technical specification **000** – Colour **20** = Version **395413.UU00020**

■ **Technical information**

- No. 395413:
safety set DIN 18257 class ES2-ZA.
- No. 395414:
safety set DIN 18257 class ES1-ZA.
- Firmly pivoted, with return spring.
- Concealed fixation, fixation screws included.
- For burglar-resistant doors with shift function E the standard half sets may be used.
- **Cylinder length 70/35 mm** absolutely necessary for all versions!
- **PU contains:**
 - A** Backplate inside handle.
 - B** Backplate outside handle with cylinder cover.
 - C** Split pusher pin.
 - D** Fixation screw.



Emergency exit and panic door locks

FRAME⁺ 75 DI fittings

Selection tables

Fitting systems for emergency exit and panic door locks

Half-sets for panic door locks EN 1125

Single-sash elements and active/inactive leaf for two-winged elements without burglar resistance

No.	Article	PU
395430	Panic E half-set push bar	1 set
395431	Panic B half-set push bar	1 set
395432	Panic E half-set push bar inactive leaf	1 set

Selection of the available versions

Opening direction	DIN direction	Technical specification	Colour
U = universal	U = universal	000 = no specification necessary	20 = silver anodized E6/EV1 10 = stainless steel matt

Execution example for determination of the requested version

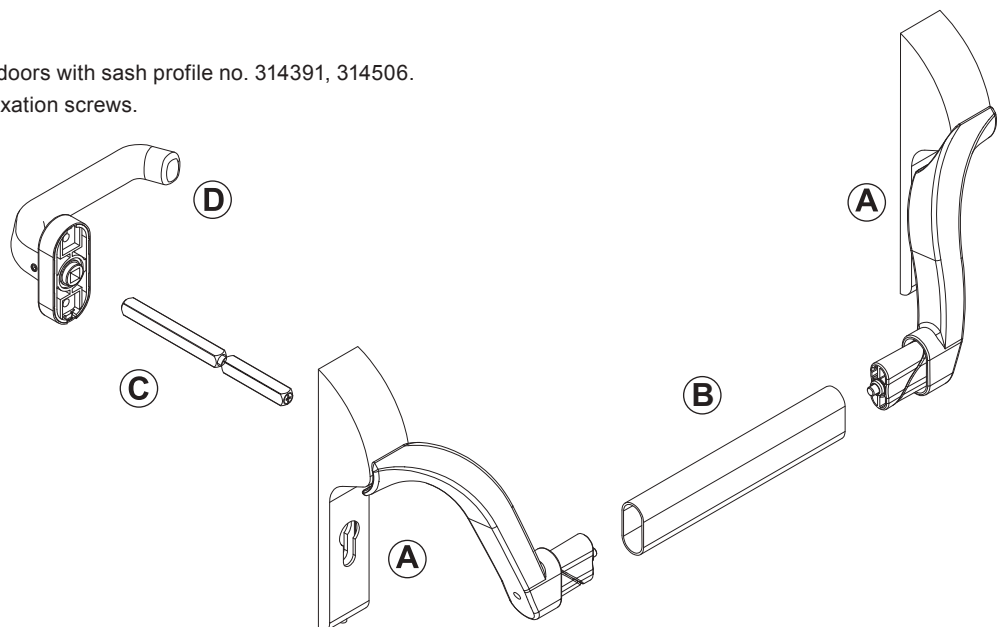
No. 395430 – Opening direction U – DIN direction U – Technical specification 000 – Colour 20 = Version 395430.UU00020

■ Technical information

- Not possible for two-winged doors with sash profile no. 314391, 314506.
- Concealed fixation, without fixation screws.
- Execution as short plate.

– PU contains:

- A 2 pieces handle panels.
- B Tubular handle.
- C Pusher pin.



External pusher

No.	Article	PU
395412	Panic B external pusher	1 pc(s)

Selection of the available versions analog table half-sets.

■ Technical information

- Firmly pivoted, with return spring.
- Concealed fixation, without fixation screws.

– PU contains:

- D Door pusher.

Fixation

No.	Article	PU	Ausführung	Demand
904259	Countersunk sheet metal screw M5x20	100 pc(s)	Panik E	4 pc(s) ¹
			Panik B	6 pc(s) ¹
910101	Countersunk head blind rivet nut M5x12	100 pc(s)	Panik E	4 pc(s) ¹
			Panik B	6 pc(s) ¹

¹ Demand per sash, inactive leaf is always panic E.

Fitting systems for emergency exit and panic door locks

Half-sets for panic door locks EN 1125

Single-sash elements and active/inactive leaf for two-winged elements without burglar resistance

No.	Article	PU
395420	Panic E half-set pushbar active and inactive leaf SW<1,350	1 set
395421	Panic B half-set pushbar SW<1,350	1 set
395423	Panic E half-set pushbar active and inactive leaf SW>1,350	1 set
395424	Panic B half-set pushbar SW>1,350	1 set

Selection of the available versions

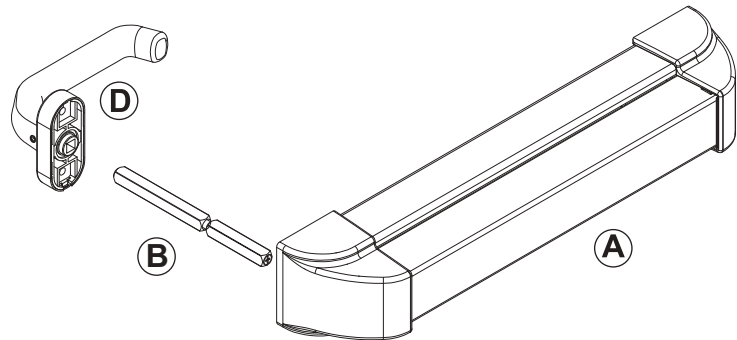
Opening direction	DIN direction	Technical specification	Colour
U = universal	U = universal	000 = no specification necessary	10 = stainless steel matt

Execution example for determination of the requested version

No. **395420** – Opening direction **U** – DIN direction **U** – Technical specification **000** – Colour **10** = Version **395420.UU00010**

■ **Technical information**

- Set no. 395420, 395423 for active leaf with shift function E and inactive leaf.
- Set no. 395421, 395424 for active leaf with switchover function B.
- Set no. 395423, 395424 for sash width > 1,350 mm.
- Concealed fixation, without fixation screws.
- **PU contains:**
 - A** Pushbar.
 - B** Pusher pin.



Emergency exit and panic door locks

External pusher

No.	Article	PU
395412	Panic B external pusher	1 pc(s)

Selection of the available versions analog table half-sets.

■ **Technical information**

- Firmly pivoted, with return spring.
- Concealed fixation, without fixation screws.
- **PU contains:**
 - D** Door pusher.

Fixation

No.	Article	PU	Ausführung	Demand
904259	Countersunk sheet metal screw M5x20	100 pc(s)	Panik E	4 pc(s) ¹
			Panik B	6 pc(s) ¹
910101	Countersunk head blind rivet nut M5x12	100 pc(s)	Panik E	4 pc(s) ¹
			Panik B	6 pc(s) ¹

¹ Demand pro Flügel, Standflügel ist immer Panik E.

Fitting systems for emergency exit and panic door locks

Profile cylinder roses with panic function

Single-sash elements and active leaf at two-winged elements

No.	Article	PU
395460	Panic cylinder rose	1 pc(s)

Selection of the available versions

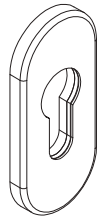
Opening direction	DIN direction	Technical specification	Colour
U = universal	U = universal	000 = no specification necessary	20 = silver anodized E6/EV1 10 = stainless steel matt

Execution example for determination of the requested version

No. **395460** – Opening direction **U** – DIN direction **U** – Technical specification **000** – Colour **20** = Version **395460.UU00020**

■ Technical information

- Installation possible at the inside and outside.
- Sliding rose, concealed fixation.
- Oval, profile cylinder perforated.
- Rose height 7 mm.
- Without fixation screws.



Fixation

No.	Article	PU	Demand
904259	Countersunk sheet metal screw M5x20	100 pc(s)	2 pc(s)
910101	Countersunk head blind rivet nut M5x12	100 pc(s)	2 pc(s)