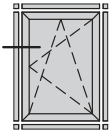


■ Window sections	189
Assembly options	
Determining dimensions for glass and sealing frames	195
Determining dimensions for timber frame	196
Selection glass gasket	197
Gluing of glass panes RC2	198
Selection corner angles and chevrons	
Sash	199



Horizontal section
Integration outer frame 27/67
Sash 68/32.5, Fitting surface-mounted /concealed

■ Profiles

Article	No.	PU
Integration outer frame 27/67	215380	6 m
Sash profile 68/32.5	215385	6 m
Glazing bead external	218250	6 m
Driving rod 20	225530	6 m

■ Technical information

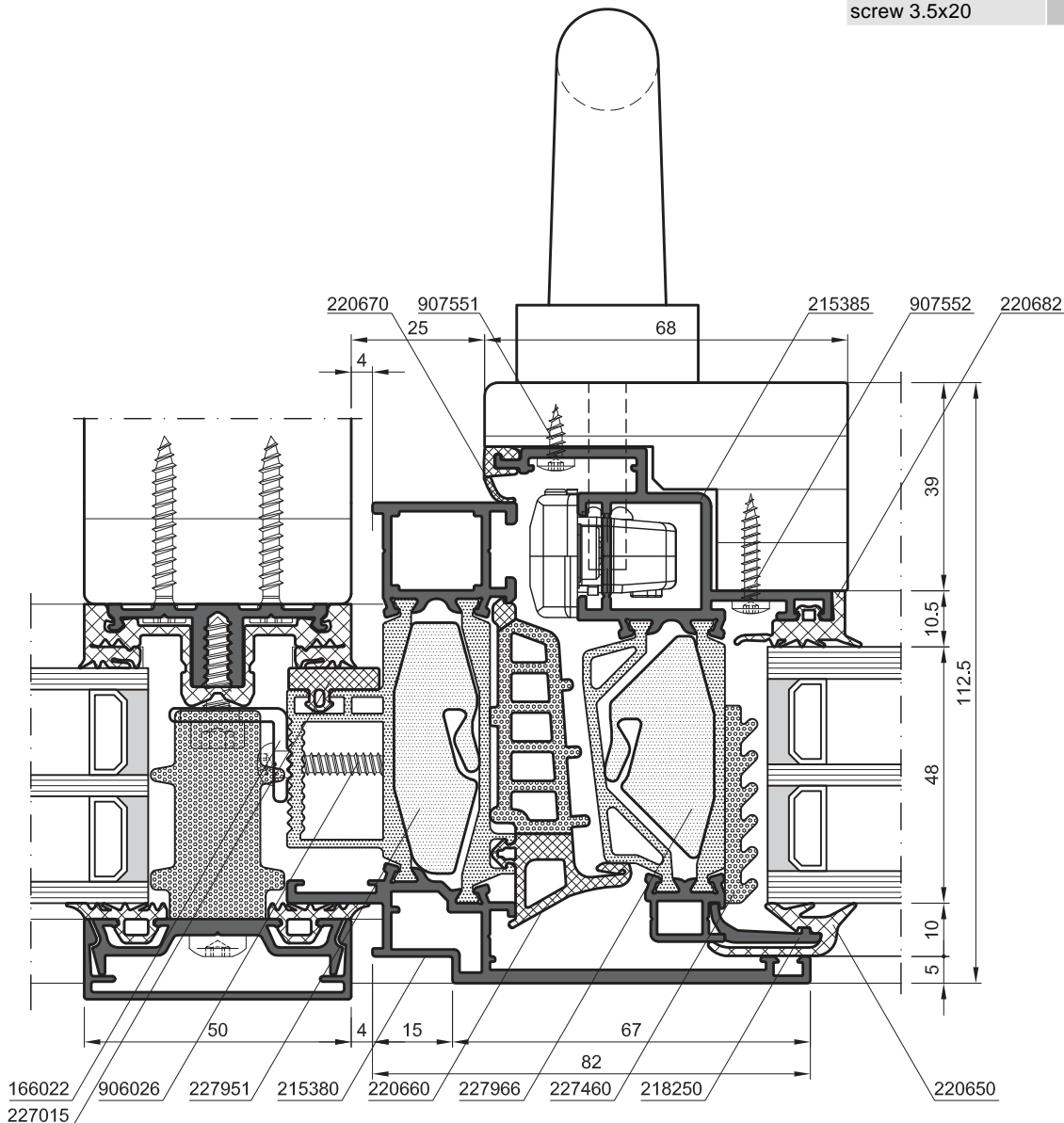
- Handle no. 294039, with square pin length 35 mm.
- **Information for coating:**
For two-coloured frames the half-shells have to be coated separately.
- Possible fitting options:
 - concealed up to 150 kg
 - surface-mounted up to 130 kg.

■ Gaskets

Article	No.	PU
Corner vulcanisation for exterior glazing gasket	220650.R	1 pc(s)
Corner vulcanisation for exterior glazing gasket	220650.RT	1 pc(s)
Insulating block medial gasket	220660	30 m
Medial gasket corners	220660.E	40 pc(s)
Corner vulcanisation for medial gasket	220660.R	1 pc(s)
Corner vulcanisation for medial gasket	220660.RT	1 pc(s)
Stop gasket 10.5	220670	200 m
Interior gasket 5	220682	50 m
Compensation gasket 4	227015	100 m

■ Accessories

Article	No.	PU
Assembly angle piece 23/30	166022	50 pc(s)
Insulating block for glazing rebate 7/50	227460	50 m
Insulating block for glazing rebate - corner 7/50	227460.E	40 pc(s)
Insulation insertion 16/47	227951	50 m
Insulation insertion 20.5/41.5	227966	50 m
Handle L shape, pin 35 mm	294039	1 pc(s)
Pan head tapping screw 4.2x38	906026	100 pc(s)
Pan head wood screw 3.5x10	907551	100 pc(s)
Pan head wood screw 3.5x20	907552	100 pc(s)

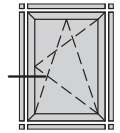


90 WB-T

Horizontal section

Integration outer frame 27/67

Sash 65/24



■ Profiles

Article	No.	PU
Integration outer frame 27/67	215380	6 m
Sash profile 68/22.5	215386	6 m
Glazing bead external	218250	6 m
Driving rod 20	225530	6 m
Compensation profile 10	227006	6 m

■ Technical information

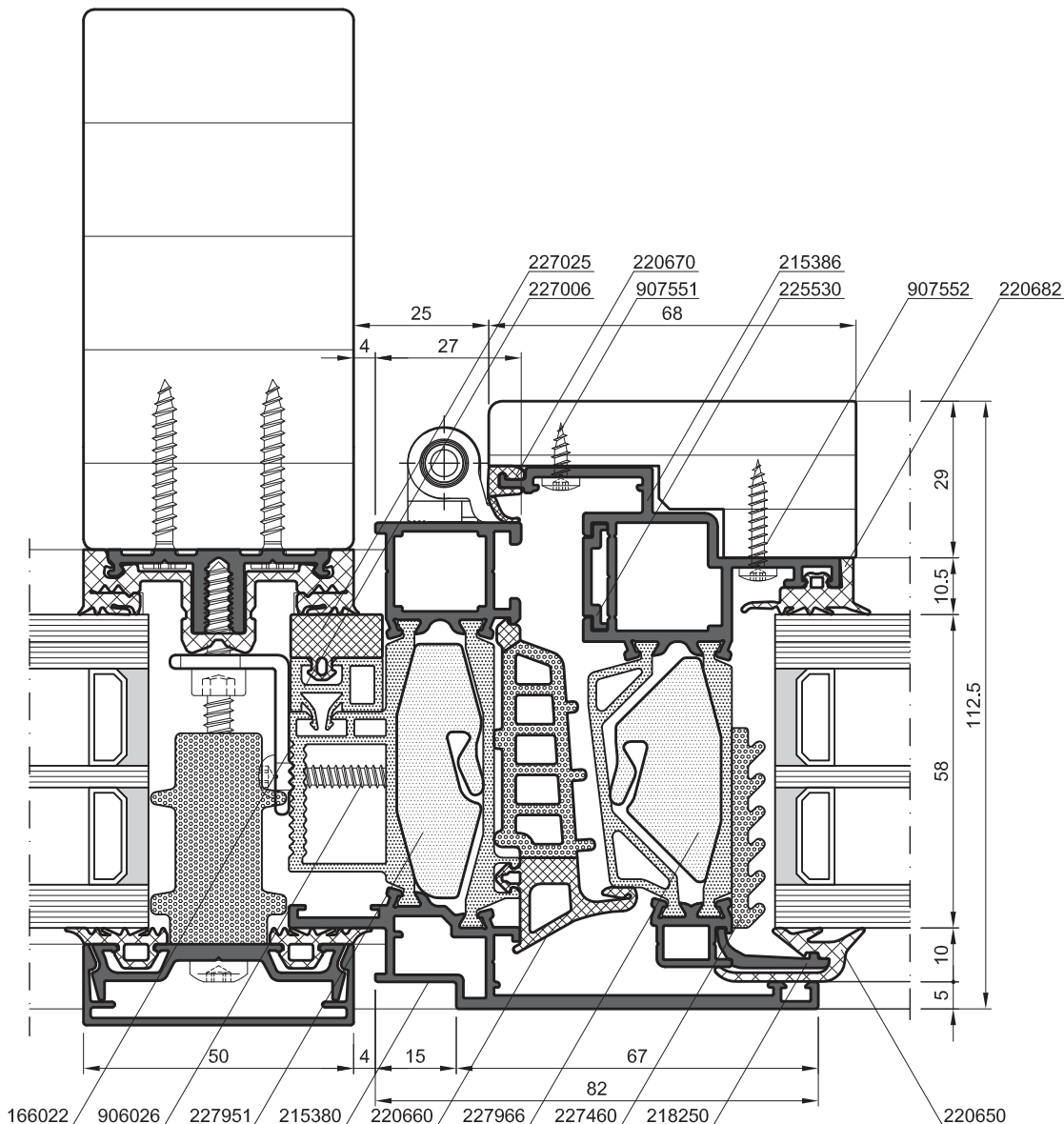
- **Information for coating:**
For two-coloured frames the half-shells have to be coated separately.
- Possible fitting options:
 - concealed up to 150 kg
 - surface-mounted up to 130 kg.

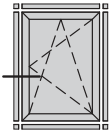
■ Gaskets

Article	No.	PU
Corner vulcanisation for exterior glazing gasket	220650.R	1 pc(s)
Corner vulcanisation for exterior glazing gasket	220650.RT	1 pc(s)
Insulating block medial gasket	220660	30 m
Medial gasket corners	220660.E	40 pc(s)
Corner vulcanisation for medial gasket	220660.R	1 pc(s)
Corner vulcanisation for medial gasket	220660.RT	1 pc(s)
Stop gasket 10.5	220670	200 m
Interior gasket 5	220682	50 m
Compensation gasket 8	227025	100 m

■ Accessories

Article	No.	PU
Assembly angle piece 23/30	166022	50 pc(s)
Insulating block for glazing rebate 7/50	227460	50 m
Insulating block for glazing rebate - corner 7/50	227460.E	40 pc(s)
Insulation insertion 16/47	227951	50 m
Insulation insertion 20.5/41.5	227966	50 m
Pan head tapping screw 4.2x38	906026	100 pc(s)
Pan head wood screw 3.5x10	907551	100 pc(s)
Pan head wood screw 3.5x20	907552	100 pc(s)





Horizontal section
Integration outer frame 27/67
Sash 68/32.5, Fitting concealed

■ Profiles

Article	No.	PU
Integration outer frame 27/67	215380	6 m
Sash profile 68/32.5	215385	6 m
Glazing bead external	218250	6 m
Cover profile	219065	6 m
Cover profile	219066	6 m
Cover profile	219067	6 m
Cover profile	219068	6 m
Driving rod 20	225530	6 m

■ Technical information

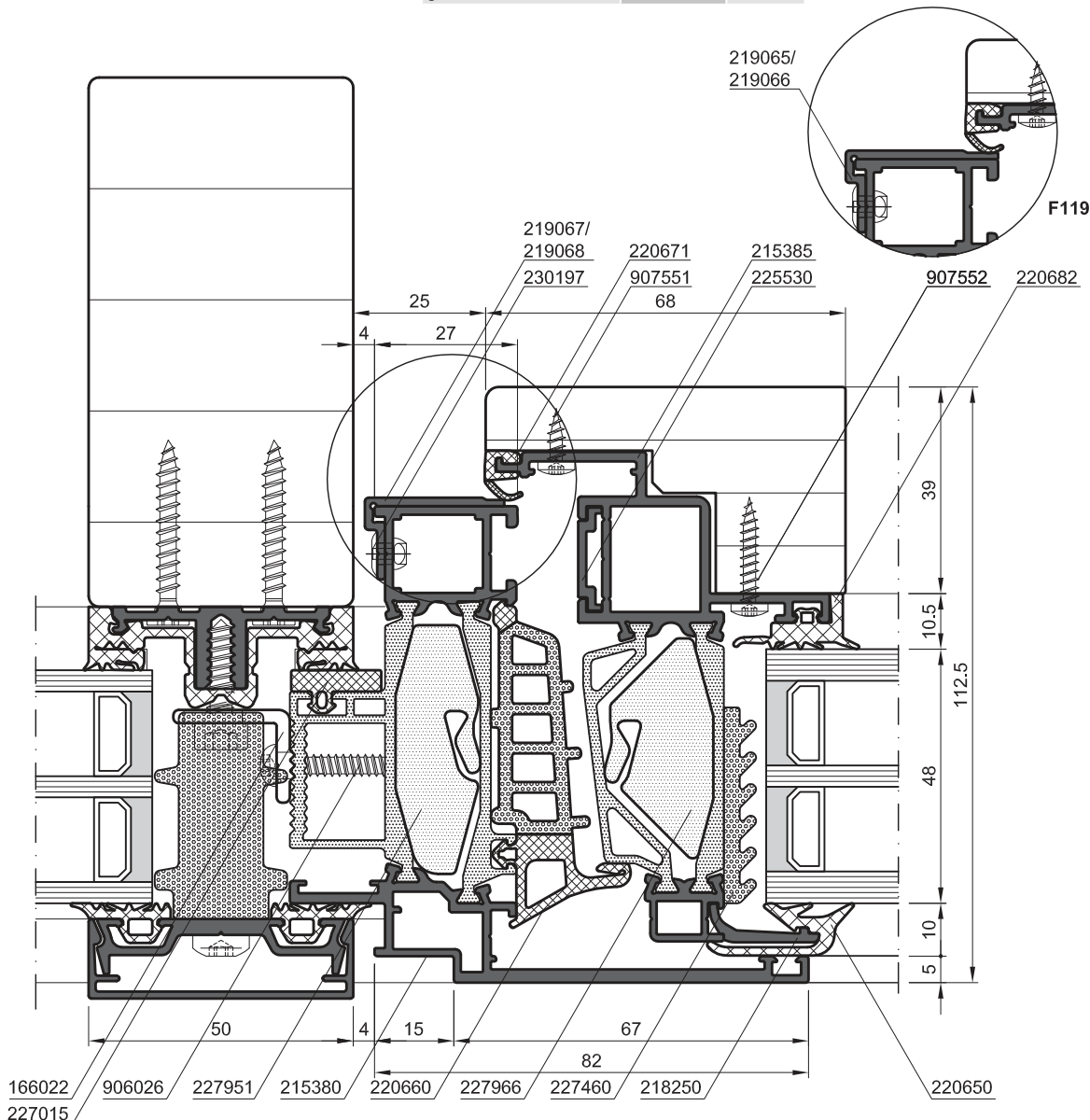
- Possible fitting options:
- concealed up to 150 kg.
- **F119** = Project solutions WSS fitting.

■ Gaskets

Article	No.	PU
Corner vulcanisation for exterior glazing gasket	220650.R	1 pc(s)
Corner vulcanisation for exterior glazing gasket	220650.RT	1 pc(s)
Insulating block medial gasket	220660	30 m
Medial gasket corners	220660.E	40 pc(s)
Corner vulcanisation for medial gasket	220660.R	1 pc(s)
Corner vulcanisation for medial gasket	220660.RT	1 pc(s)
Stop gasket 9.4	220671	200 m
Interior gasket 5	220682	50 m
Compensation gasket 4	227015	100 m

■ Accessories

Article	No.	PU
Assembly angle piece 23/30	166022	50 pc(s)
Insulating block for glazing rebate 7/50	227460	50 m
Insulating block for glazing rebate - corner 7/50	227460.E	40 pc(s)
Insulation insertion 16/47	227951	50 m
Insulation insertion 20.5/41.5	227966	50 m
Blind rivet 4x8	230197	100 pc(s)
Pan head tapping screw 4.2x38	906026	100 pc(s)
Pan head wood screw 3.5x10	907551	100 pc(s)
Pan head wood screw 3.5x20	907552	100 pc(s)



90 WB-T

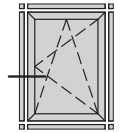
FRAME⁺ 90 WB-T

Window sections

Horizontal section

Integration outer frame 27/67

Sash 68/32.5



Profiles

Article	No.	PU
Outer frame 44/99	215352	6 m
Sash profile 68/32.5	215385	6 m
Glazing bead external	218250	6 m
Driving rod 20	225530	6 m

Technical information

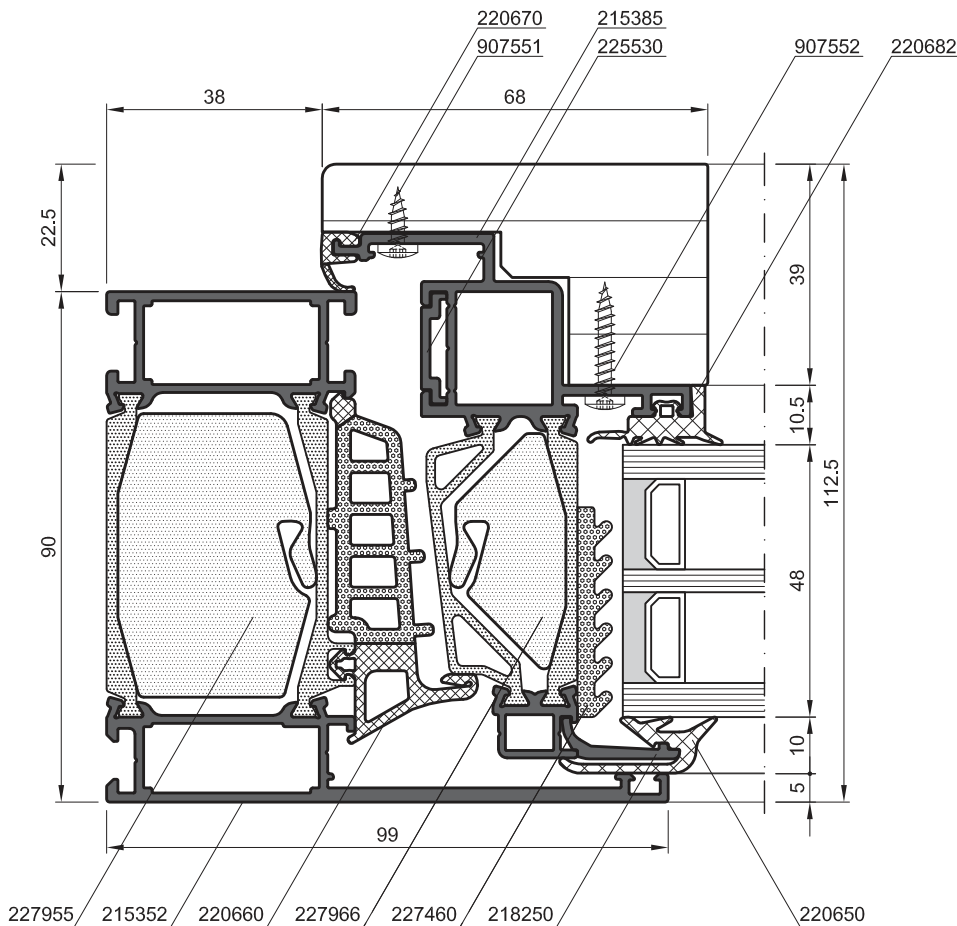
- **Information for coating:**
For two-coloured frames the half-shells have to be coated separately.
- Possible fitting options:
 - concealed up to 150 kg
 - surface-mounted up to 130 kg.

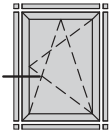
Gaskets

Article	No.	PU
Corner vulcanisation for exterior glazing gasket	220650.R	1 pc(s)
Corner vulcanisation for exterior glazing gasket	220650.RT	1 pc(s)
Insulating block medial gasket	220660	30 m
Medial gasket corners	220660.E	40 pc(s)
Corner vulcanisation for medial gasket	220660.R	1 pc(s)
Corner vulcanisation for medial gasket	220660.RT	1 pc(s)
Stop gasket 10.5	220670	200 m
Interior gasket 5	220682	50 m

Accessories

Article	No.	PU
Insulating block for glazing rebate 7/50	227460	50 m
Insulating block for glazing rebate - corner 7/50	227460.E	40 pc(s)
Insulation insertion 35/50	227955	50 m
Insulation insertion 20.5/41.5	227966	50 m
Pan head wood screw 3.5x10	907551	100 pc(s)
Pan head wood screw 3.5x20	907552	100 pc(s)





Horizontal section
Outer frame 44/99 with adapter profile
Sash 68/32.5, fitting surface-mounted/concealed

■ Profiles

Article	No.	PU
Outer frame 44/99	215352	6 m
Sash profile 68/32.5	215385	6 m
Glazing bead external	218250	6 m
Adapter profile	219052	6 m
Driving rod 20	225530	6 m

■ Technical information

- **Information for coating:**
For two-coloured frames the half-shells have to be coated separately.
- Possible fitting options:
- concealed up to 150 kg
- surface-mounted up to 130 kg.

■ Gaskets

Article	No.	PU
Corner vulcanisation for exterior glazing gasket	220650.R	1 pc(s)
Corner vulcanisation for exterior glazing gasket	220650.RT	1 pc(s)
Insulating block medial gasket	220660	30 m
Medial gasket corners	220660.E	40 pc(s)
Corner vulcanisation for medial gasket	220660.R	1 pc(s)
Corner vulcanisation for medial gasket	220660.RT	1 pc(s)
Stop gasket 10.5	220670	200 m
Interior gasket 5	220682	50 m

■ Accessories

Article	No.	PU
Assembly angle piece 23/18	166020	50 pc(s)
Insulating block for glazing rebate 7/50	227460	50 m
Insulating block for glazing rebate - corner 7/50	227460.E	40 pc(s)
Insulation insertion 35/50	227955	50 m
Insulation insertion 20.5/41.5	227966	50 m
Pan head tapping screw 4,2x19	906025	100 pc(s)
Pan head tapping screw 4.2x38	906026	100 pc(s)
Pan head wood screw 3.5x10	907551	100 pc(s)
Pan head wood screw 3.5x20	907552	100 pc(s)

