

■ Accessories for locking systems

Connection sets for automatic locks	107
Deadbolt monitoring device for inactive leaf	109
Profile cylinder	110

Accessories for locking systems
Connection sets for automatic locks
Basic connection set

No.	Article	PU
395330	Basic connection set for automatic lock with A-opener	1 set

■ **Technical information**

- For cap combination 1A and 2A.
- Including magnetic contact.
- For on-site power supply.
- Cable transition additionally required.

– **PU contains:**

- K** Magnetic contact.
- L** Motor connection cable with plug.
- M** Building connection cable with plug.
- N** 3 pieces cable protection sleeve.

– **Accessories:**

- Top-hat rail-power supply see **Product range**.

K



Cable transition

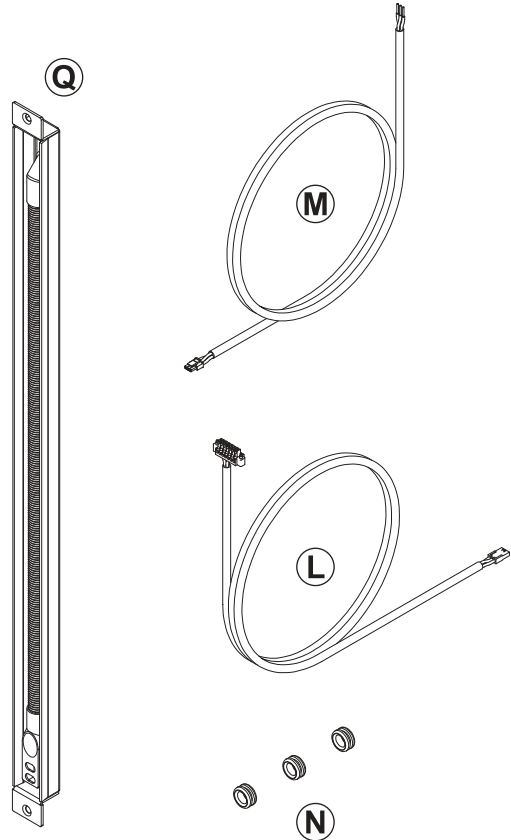
No.	Article	PU
395333	Flexible cable transition	1 pc(s)

■ **Technical information**

- Concealed installation in the rebate.
- Detachable, with installation tub.
- Max. Ø for cable: 8 mm.

– **PU contains:**

- Q** Cable transition, concealed.



Fixation

No.	Article	PU	Demand
908016¹	Countersunk sheet metal screw St 4.2x19	100 pc(s)	2 pc(s)

¹ Only for the fixation of the cable transition, fixation screws for magnetic contact come with the lock.

Accessories for locking systems

Connection sets for automatic locks

Connection set tappet contact

No.	Article	PU
395335	Connection set tappet contact for automatic lock with A-opener	1 set

■ Technical information

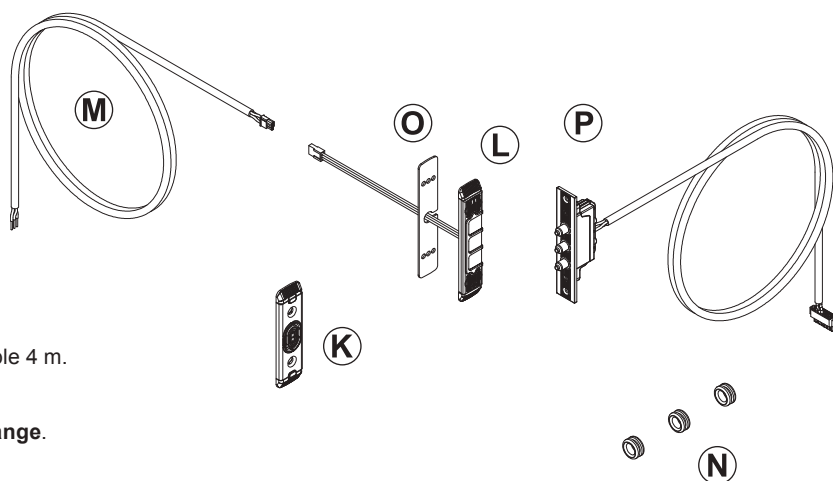
- For cap combination 1A and 2A.
- Including magnetic contact.
- For on-site power supply.

– PU contains:

- K** Magnetic contact.
- L** Contact surface on the frame side.
- M** Building connection cable with plug.
- N** 3 pieces cable protection sleeve.
- O** Supporting plate for contact surface.
- P** Tappet contact on the sash side with cable 4 m.

– Accessories:

- Top-hat rail-power supply see **Product range**.



Fixation

No.	Article	PU	Demand
908016 ¹	Countersunk sheet metal screw St 4.2x19	100 pc(s)	4 pc(s)

¹ Only for the fixation of the cable transition, fixation screws for magnetic contact come with the lock.

Accessories for locking systems
Dead bolt monitoring for inactive leaf
Two-winged doors with/without panic function

No.	Article	PU
395351	Additional set dead bolt monitoring for inactive leaf	1 set

Selection of the available versions

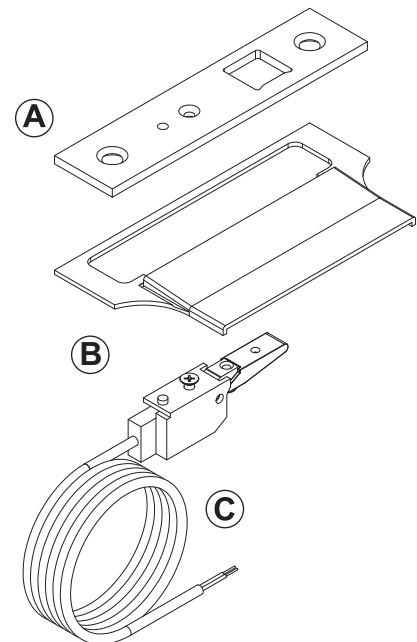
Opening direction	DIN direction	Technical specification	Colour
I = inward A = outward	U = universal	000 = no specification necessary	00 = no colour specification

Execution example to determine the requested version

No. **395351** – Opening direction **I** – DIN direction **U** – Technical specification **000** – Colour **00** = Version **395351.IU00000**

■ **Technical information**

- For two-winged doors with profile change or dummy mullion.
- Dead bolt monitoring on the upper espagnolette bolt.
- VdS class C (G 107060).
- Mount instead of the upper bar inlay.
- Not possible in combination with swing door drive at the inactive leaf.
- **PU contains:**
 - A** Edge plate for bolt switch contact.
 - B** ISO plate.
 - C** Bolt switch contact with connection cable (6 m).
- **Accessories:**
 - Top-hat rail-power supply see **Product range**.



Fixation

No.	Article	PU	Demand
908016	Countersunk sheet metal screw St 4.2x19	100 pc(s)	2 pc(s)

Accessories for locking systems

Profile cylinder

No.	Article	PU
395490	Two-sided profile cylinder standard	1 pc(s)

Selection of the available versions

Opening direction	DIN direction	Technical specification	Colour
U = universal	U = universal	040 = cylinder length 35/55 PC rose inward, PC decorative ring outward 041 = cylinder length 35/65 PC rose on both sides 042 = cylinder length 40/65 PC rose outward, pushbar inward	00 = no colour specification

Execution example to determine the requested version

No. **395490** – Opening direction **U** – DIN direction **U** – Technical specification **040** – Colour **00** = Version **395490.UU04000**

■ Technical information

- With emergency and danger function on both sides.
- Exterior length 65 for PC rose with/without cylinder cover possible.
- Different locking.
- Anti-drilling protection.
- Including 3 keys.

