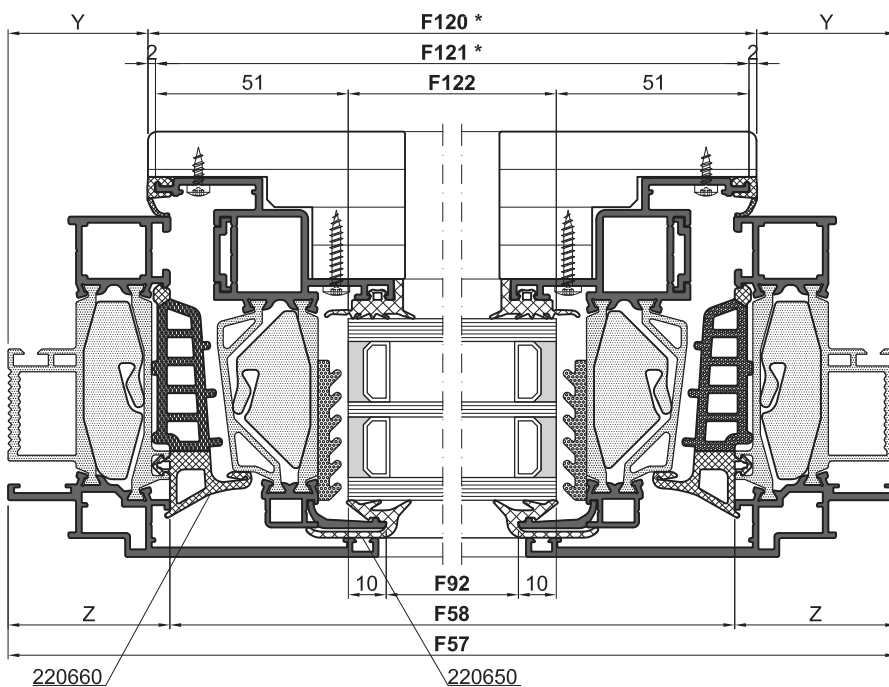


Determining dimensions for glass and sealing frames
Sash

■ **Technical information**

- The sealing frame is supplied in oversize dimensions.
- Sealing frame available in
 - Siliconised = *.R or
 - Dry = *.RT
 *respective no.
- Alternative for corner vulcanised medial gasket frame no. 220660.R/220660.RT:
 - **moulded corner no. 220660.E** (PU = 40 pcs) with **medial gasket no. 220660** (PU = 30 m) (for bonding see handling).
- * **Standard:** If the sash height is not more than 500 mm the sash must be manufactured 1 mm smaller!
If the sash width is not more than 500 mm with a surface-mounted fitting, the sash must be manufactured 1 mm smaller!
If the sash width is not more than 450 mm with a concealed fitting, the sash must be manufactured 1 mm smaller!
- Glazing rebate insulation block selectable as
 - **Sold by meter no. 227460** or as
 - **Sold by meter no. 227460** with corners no. 227460.E.

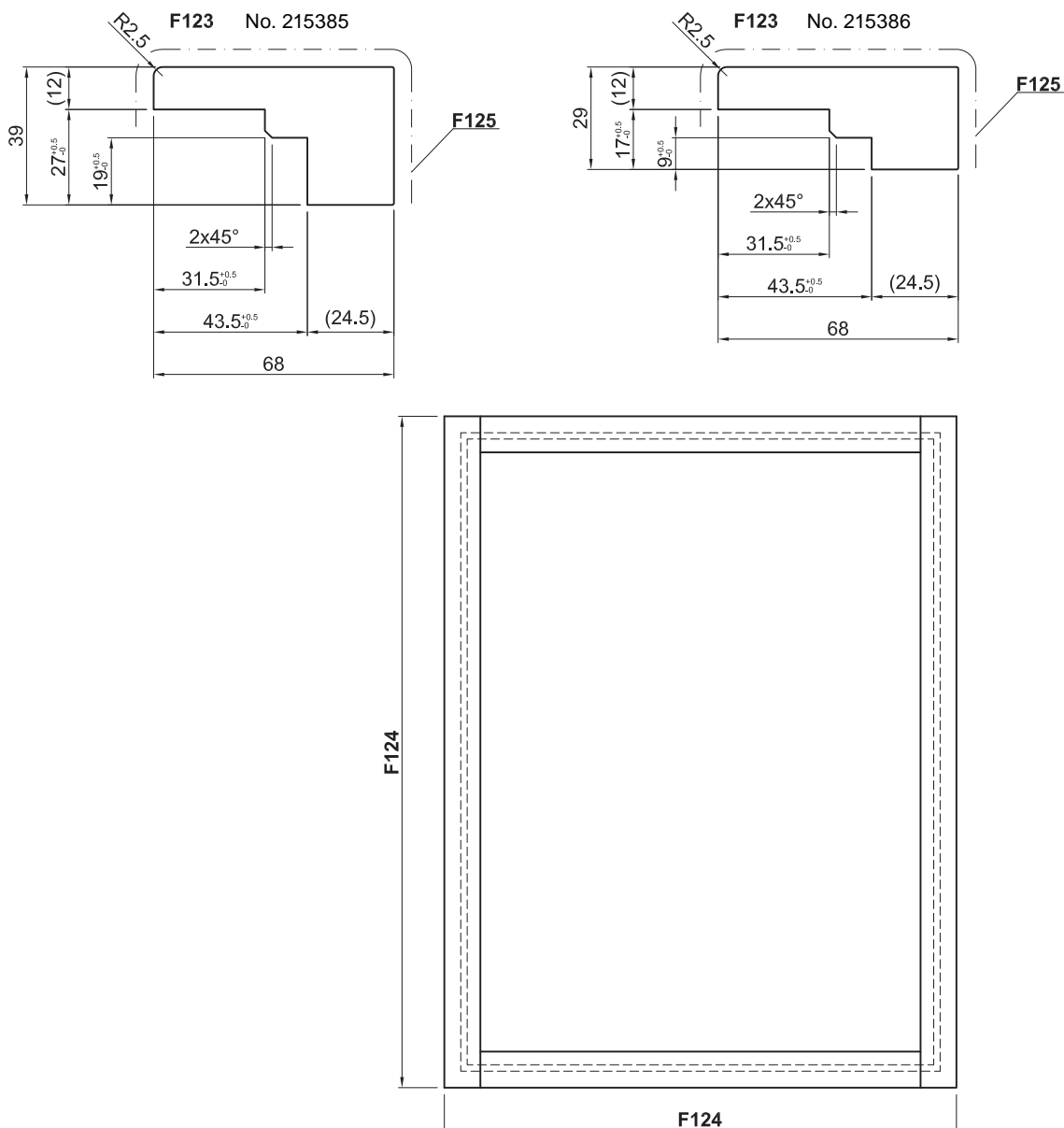
- **F57** = EFD +/-0.5 (external frame dimension).
- **F58** = Order dimension corner vulcanised medial gasket = FR (frame rebate) = EFD - 2Z.
- **F92** = Order dimension glass sealing frame = GD - 20.
- **F120** = EFDTF ± 0,5 (external sash dimension timber frame) = EFD - 2Y.
- **F121** = ESD ± 0,5 (external sash dimension aluminium frame) = EFDTF - 4.
- **F122** = Order dimension glass = GD (glass dimension) = ESD - 102.



Determining dimensions
Timber frame

■ **Technical information**

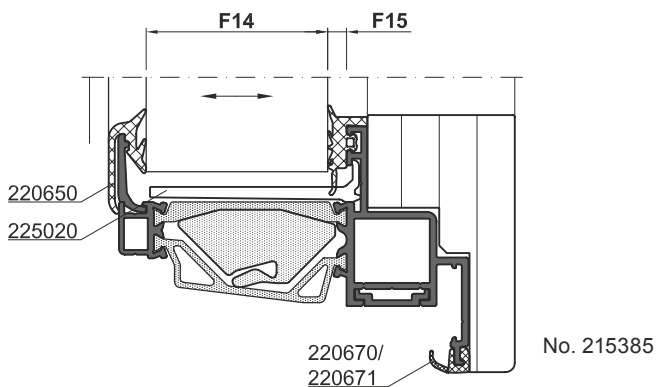
- Corner connection with butt joint.
- ATTENTION: The processing/milled recesses have to be done circumferential.**
- **F123** = Dimensions timber frame.
- **F124** = ESDTF ± 0.5 (external sash dimension timber frame).
- **F125** = Visible surface.



Selection table
Glass gasket
Sash

■ **Technical information**

- Beware of actual panel thicknesses and check if necessary.
- **F14** = Panel thickness.
- **F15** = Gap dimension.

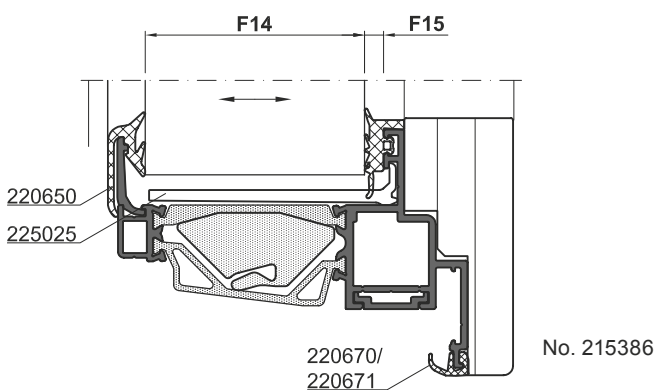


Sash no. 215385

220690	220689	220688	220687	220686	220685	220684	220683	220682	220681	220680
13	12	11	10	9	8	7	6	5	4	3
↕ Max. panel thickness										
40 mm	41 mm	42 mm	43 mm	44 mm	45 mm	46 mm	47 mm	48 mm	49 mm	50 mm

Exterior glass gasket

220650	220670
220671	



Sash no. 215386

220689	220688	220687	220686	220685	220684	220683	220682	220681	220680
12	11	10	9	8	7	6	5	4	3
↕ Max. panel thickness									
51 mm	52 mm	53 mm	54 mm	55 mm	56 mm	57 mm	58 mm	59 mm	60 mm

Exterior glass gasket

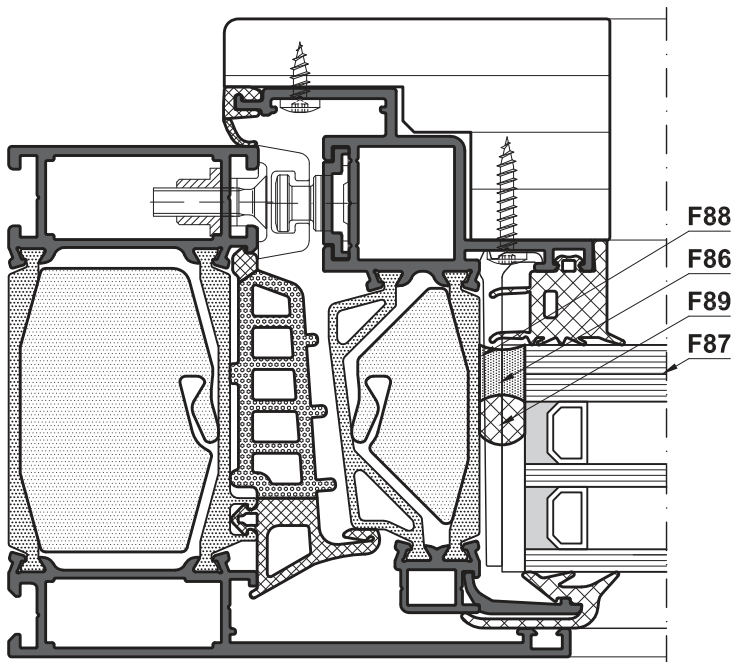
220650	220670
220671	

Overview

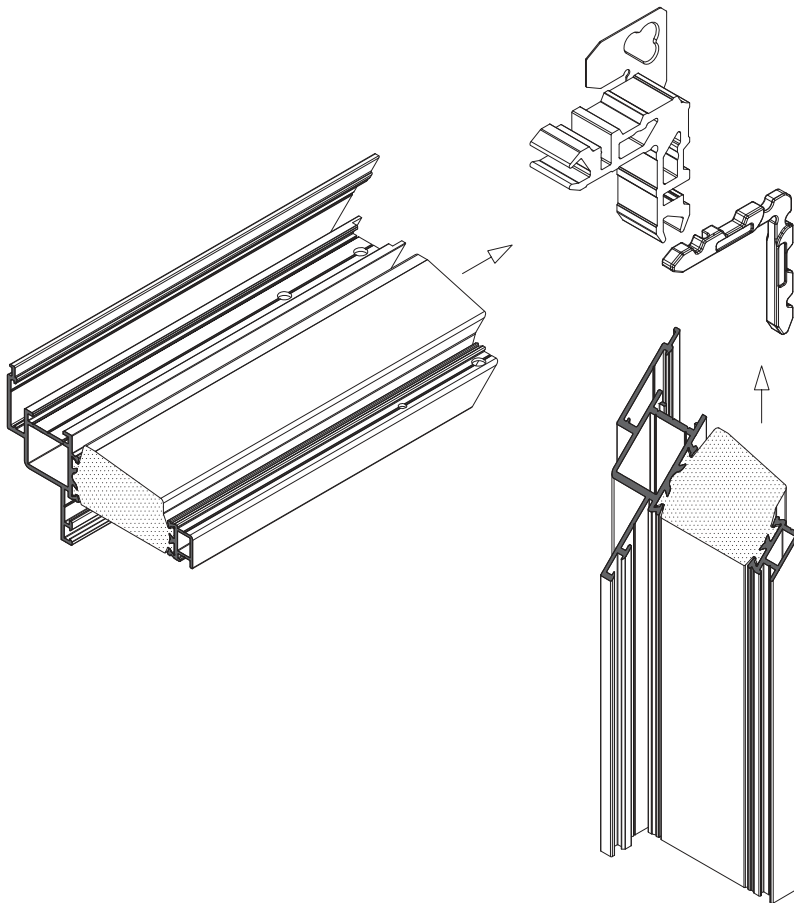
Gluing of glass pane RC2

■ Technical information

- Adhesive contact with the insulating glass edge seal must be avoided absolutely.
 - The RC2 fittings installation instructions as well as the installation instructions for RC2 (see processing guidelines) must be followed.
 - Gluing all round is necessary for the burglar-resistance of the element. It must be carried out using a suitable adhesive (e. g. 2-component adhesive Dow Corning 993) or comparable products.
 - Product information and the adhesive manufacturer's instructions for use must be observed. Pre-treat coated profiles with cleaner (e. g. Cosmofen 60) or primer (e. g. Dow Corning 1200-OS) or comparable products.
 - Enquire to the glass manufacturer regarding the compatibility of the adhesive used with the glass edge seal and laminated film of composite safety glass.
- **F86** = Circumferential bonding with edge-seal-compatible 2-component silicone adhesive and sealant; (e.g. with Dow Corning 993 Structural Glazing Sealant, consult the glass manufacturer if necessary). Observe the curing time!
 - **F87** = Safety glass pane class P4A, laminated glass pane optionally on the inside or outside.
 - **F88** = Clean gluing surface with a suitable cleaning agent and prime with a suitable primer (e. g. with Dow Corning 1200-OS).
 - **F89** = Backfill cord.



Selection table
Corner angles and chevrons
Sash



90 WB-T

Sash profile		Additionally, for corner joints using nails				
No.	Article	Set of corner angles can be punched or nailed 1 PU = 40 pcs (40 corners)	Set of corner angles can be punched or nailed 1 PU = 4 pcs (4 corners)	Chevron 1 PU = 40 pcs (40 corners)	Stainless steel nail 1 PU = 100 pcs (50 corners)	Aluminium nail 1 PU = 100 pcs (50 corners)
		No.	No.	No.	No.	No.
215385	Sash profile 68/32.5	224426	224431	223216	3x8.5 mm 230600	5x13.5 mm 230002
215386	Sash profile 68/22.5					

