

NEW
Planning and processing manuals
for ventilation flap FRAME+ 75 LF
under no. 002117

■ **Assembly options**

Determining dimensions for glass and sealing frames

Ventilation flap 200 – sash 261

Ventilation flap 300 – sash 262

Selection of corner angle and chevrons

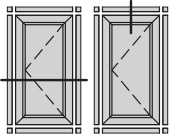
Ventilation flap – integration outer frame 263

Selection sealing pieces

Head end piece ventilation flap 264

Change of assortment

Change of assortment

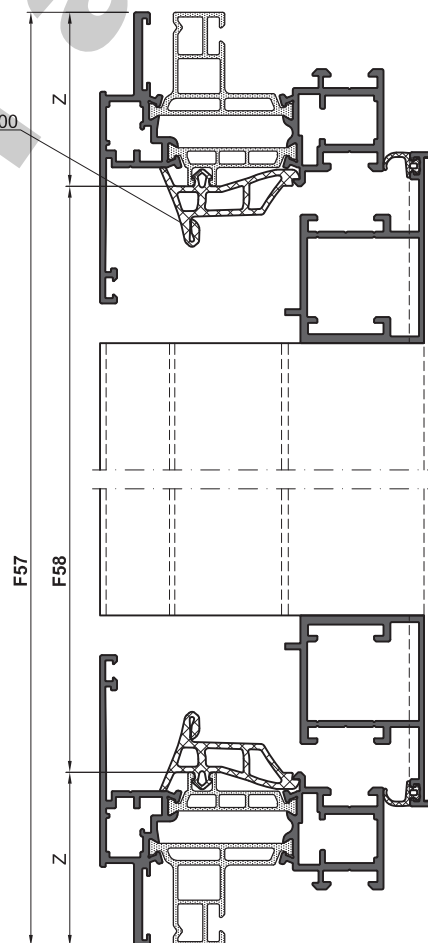
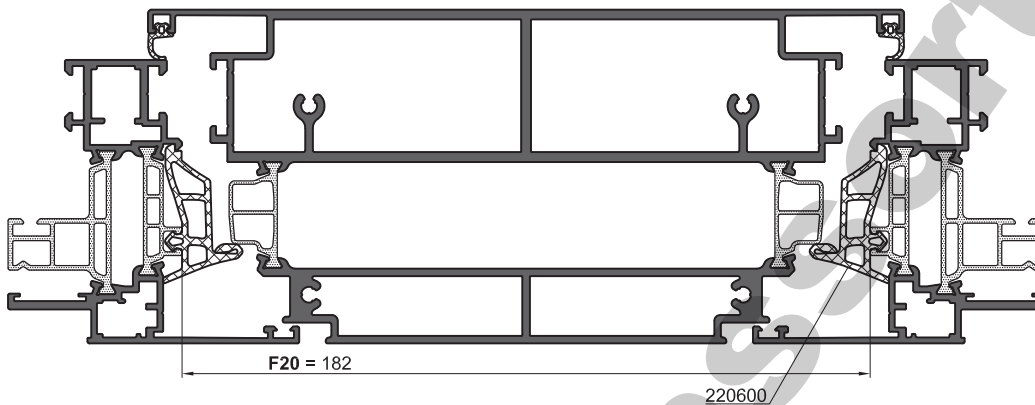


Determining dimensions for sealing frame
Ventilation flap – sash 200/106

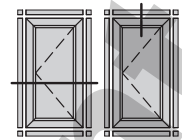
■ **Technical information**

– The sealing frame is supplied in oversize dimensions.

- **F20** = RF (frame rebate) = Ordering size for medial sealing frame.
- **F57** = EFD +/-0.5 (external frame dimension).
- **F58** = Order dimension corner vulcanised medial gasket = FR (frame rebate) = EFD - 2Z.



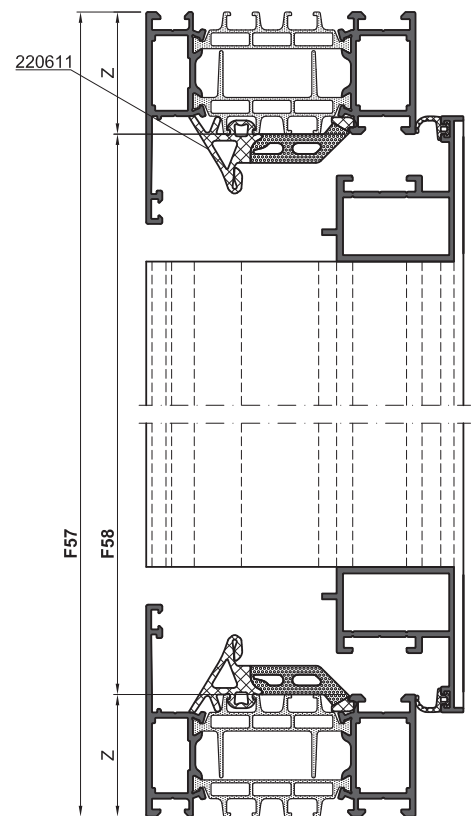
Determining dimensions for sealing frame
Ventilation flap – sash 300/226



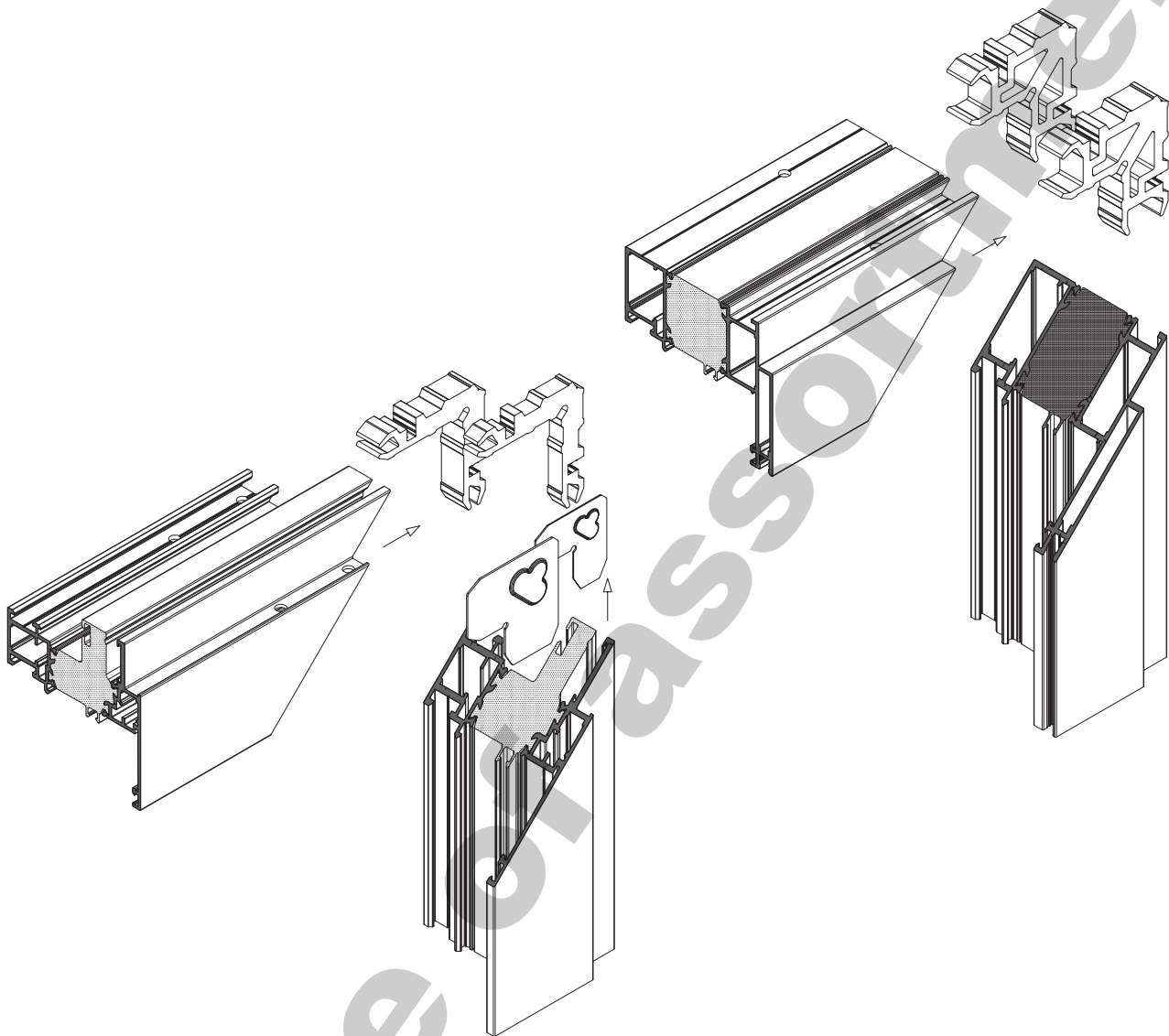
■ **Technical information**

– The sealing frame is supplied in oversize dimensions.

- **F20** = RF (frame rebate) = Ordering size for medial sealing frame.
- **F57** = EFD +/-0.5 (external frame dimension).
- **F58** = Order dimension corner vulcanised medial gasket = FR (frame rebate) = EFD - 2Z.



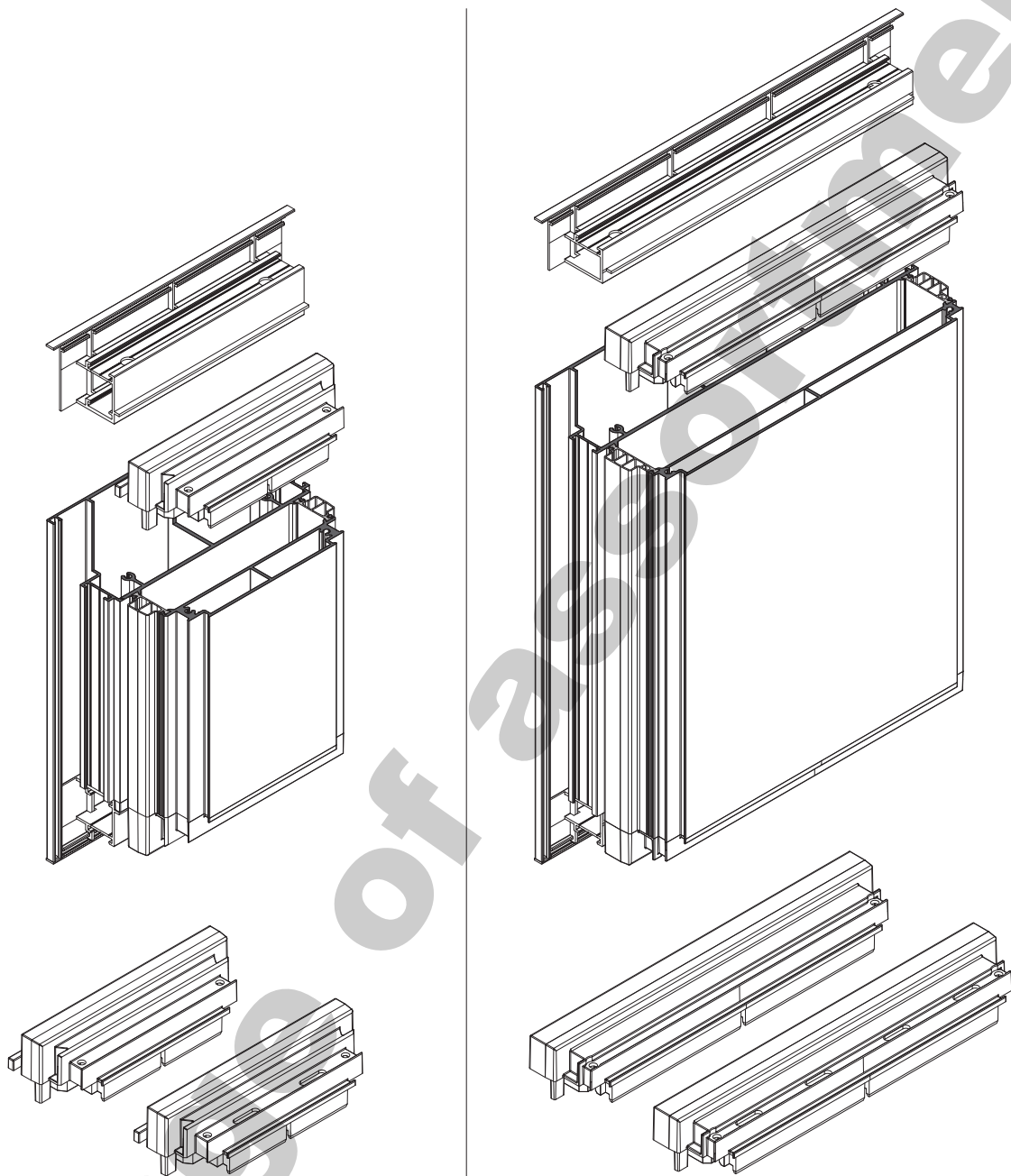
Selection table
Corner corners and chevrons
Ventilation flap – integration outer frame



75 LF

Outer frame profile						Additionally, for corner joints using nails/ screws	
No.	Article	Set of corner corners can be punched or nailed		Chevron		Aluminium nail	Stainless steel screw nail
		1 PU = 40 pcs (40 corners)	1 PU = 4 pcs (4 corners)	1 PU = 40 pcs (40 corners)		1 PU = 100 pcs (25 corners)	
		No.	No.	No.	No.	Inner shell/Outer shell	
		No.	No.	No.	No.	No.	No.
210450	Integration outer frame ventilation flap 27/56/75	224153	224152	223214	223219	5x10 mm 230000	5x10 mm 230027
210460	Outer frame ventilation flap 36/71/83	222506	222505	–	–	5x13.5 mm 230002	5x13.5 mm 230028

Overview and selection
Head end piece ventilation flap



224869 Synthetic head end piece for sash profile ventilator flap 200 no. 210452
 1 PU consisting of:
 - 1 piece without slotted hole (upper part)
 - 1 piece with slotted hole (bottom part) for drainage

224968/224969 Aluminium head end piece for sash profile ventilator flap no. 210452
 - 224968: black anodised E6/C35
 - 224969: mill finished, burr free

224867 Synthetic head end piece for sash profile ventilator flap 300 no. 210458
 1 PU consisting of:
 - 1 piece without slotted hole (upper part)
 - 1 piece with slotted hole (bottom part) for drainage

224970/224971 Aluminium head end piece for sash profile ventilator flap no. 210458
 - 224970: black anodised E6/C35
 - 224971: mill finished, burr free